

PRO GROW

EVO

2.8 $\mu\text{mol}/\text{J}$



630 W 1760 $\mu\text{mol}/\text{s}$

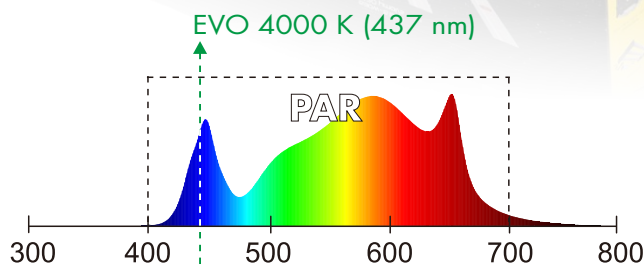


2202 X SMD
LED DIODES

- Total PPF - 1760 $\mu\text{mol}/\text{s}$
- Efficacy - 2.8 $\mu\text{mol}/\text{J}$
- Sosen 0-10 V Driver
- CRI 88 - Full Spectrum Array
- Total Amps: 2.63 A @ 240 V
- 1170 mm x 1060 mm
- Adjust to 250, 380 or 500 W



SMART CONTROLLER COMPATIBLE



SAMSUNG
LM301H

OSRAM
HYPER RED



PRO GROW EVO MODEL S 630 W - 6 BAR

PRO GROW EVO Model S LED array is coupled with an ultra-reliable Sosen 0-10 V Dimmable Driver with the lowest 'in-rush current' of any driver on the market. The light weight and durable die-cast aluminium housings offer cool, fanless & totally silent operation. Extended reliability is assured with IP-55 water resistant, cleanable housings. Fixtures are further dimmable via a Master Controller (sold separately). Drivers can be fixed or remote mounted a maximum of 1.8 m away via the extension cord provided. Four quality mounting rope ratchets are included for immediate installation.



OUTPUT AND EFFICACY

The PRO GROW EVO 630 W (Model S) has an output of PPF 1,760 $\mu\text{mol/s}$. PRO GROW blends top bin SMD diodes from both Samsung and Osram for an outstanding efficacy of over 2.8 $\mu\text{mol/J}$. The 630 W fixture emits 4,300 K of full spectrum light with an industry leading CRI of 88. A high, average PPFD of 1000 $\mu\text{mol/s m}^2$ is achievable across the whole plant canopy.



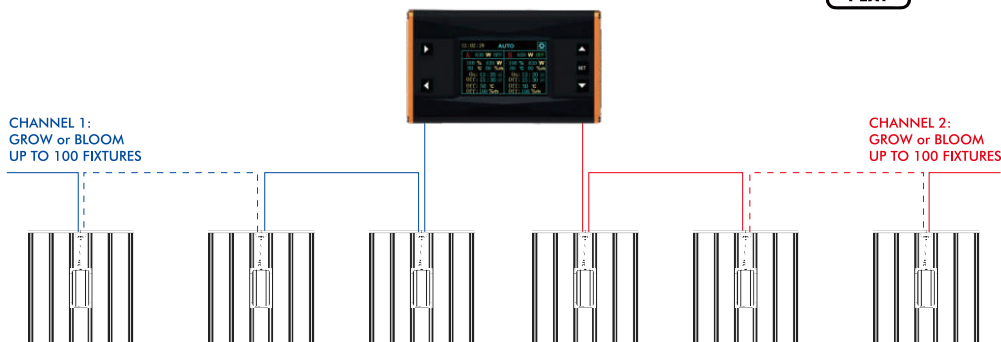
SMART CONTROLLER (sold separately)

The PRO GROW EVO 630 W (Model S) is compatible with the PRO GROW Smart Controller. Equipped with a RJ14 Cable, up to 200 fixtures can be daisy chained from the one controller (100 fixtures per channel). Grow and Bloom channels can be operated simultaneously for both long and short day offset. Simply switch all fixtures to EXT mode to begin controlled operation.



Manual dimming switch. Switch to EXT when using the Smart Controller.

SMART CONTROLLER COMPATIBLE (sold separately)



FOLDABLE DESIGN

The foldable design saves on shipping and storage costs. Simply unfold, plug and play with the PRO GROW 630 W LED. Four quality rope ratchets are included for immediate installation.





At its core is the addition of the new Samsung LM301H EVO 4000 K diode. The EVO shifts the previous blue peak from 450 nm to 437 nm. This moves part of the spectrum from red to blue which increases the overall white diode efficiency. This shorter wavelength plant-centric spectrum promotes higher physical and qualitative growth than normal white LEDs or combinations of blue & red LEDs. Plants grown under this plant-centric spectrum have bigger and thicker leaves and higher levels of nutrients.



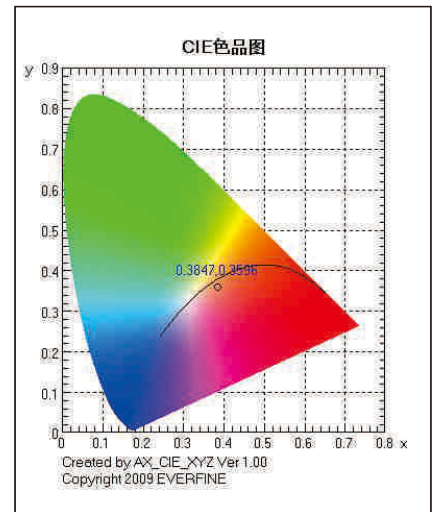
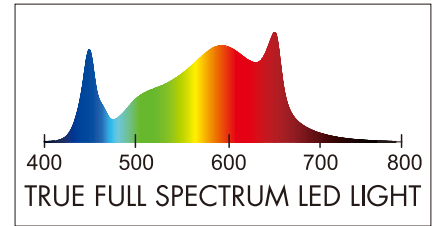
SPECTRUM TEST REPORT



Plant Parameters:

Flux (lm): 109906
 Spectral Radiance (W/nm): 371.8
 Flux(W): 363.5
 Efficiency: 0.5782
 PPE: 2.8
 Erb_Ratio: 1.745
 Flux_UV (W): 1.551
 PPF (400-500)(umol/s): 301.7
 PPF (600-700)(umol/s): 733.2
 Photon flux_fr (umol/s): 41.17
 Flux (380-780) (W): 370.3
 Flux_ch-A.t (J): 62.19
 Flux_ch-B.t (J): 75.25
 Flux b.t (J): 78.57
 Flux y.t (J): 148
 Flux r.t (J): 137.1

Qv (lm.s)109906
 Qe (J): 371.8
 Far-red flux (W): 6.789
 Effi-fr: 0.01079
 Kfr: 0.06549
 Flux_b (W): 371.8
 PPF (umol/s): 1760
 PPF (500-600)(umol/s): 687.5
 PPF.t (umol/s): 1760
 Flux (400-700)(W): 363.5
 Flux_ch-A (W): 62.19
 Flux_ch-B (W): 75.25
 Flux b (W): 78.57
 Flux y (W): 148
 Flux r (W): 137.1



Colour Parameters:

Chromaticity Coordinate: $x=0.3847$ $y=0.3596/u'=0.2351$ $v'=0.4944$
 CCT = 3741K (Duv=-0.0094) Dominant WL:Ld = 586.4 nm Purity + 23.4%
 Ratio: R=20.7% G=75.4% B=3.9% Peak WL: Lp=450.8 nm FWHM=19.5 nm
 Render Index: RA= 88
 Electric:V = 119.60 V I = 5.370 A P = 628.7 W PF = 1.000 Eff = 171.1 m/W

PAR DISTRIBUTION



Mounting Height: **12 (30CM)**

270	433	501	494	434	270
502	836	948	939	835	484
610	1022	1169	1160	1016	596
637	1063	1220	1209	1062	623
544	906	1018	1024	912	531
274	438	500	494	444	271

Mounting Height: **24 (60CM)**

268	362	421	422	362	268
378	529	614	613	531	374
452	640	734	735	636	451
457	646	746	747	642	458
388	543	627	630	540	384
269	364	419	419	367	268

Mounting Height: **36 (90CM)**

232	284	322	321	286	234
288	364	411	411	368	288
330	419	469	469	416	331
331	419	472	473	420	333
295	370	414	417	369	294
233	286	320	322	290	233

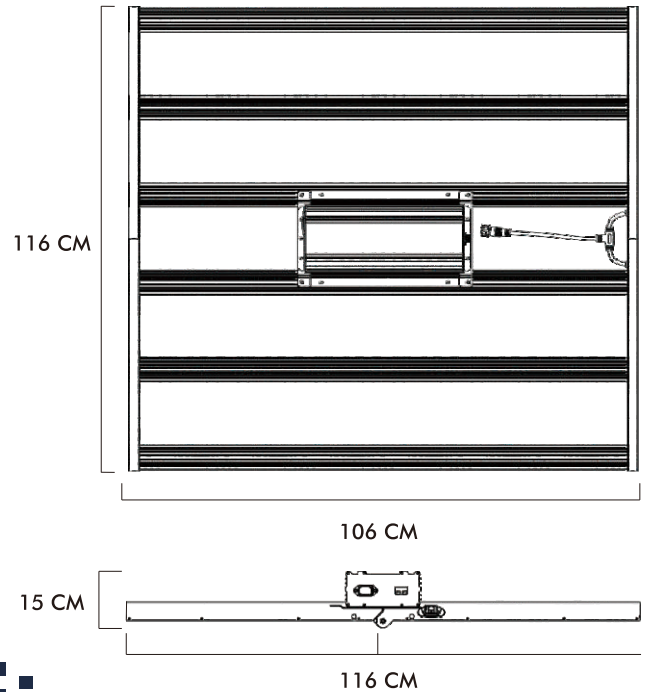
Mounting Height: **48 (120CM)**

195	224	245	245	225	195
225	265	288	288	265	224
245	290	316	315	288	245
245	290	317	317	290	246
227	266	289	290	265	225
193	222	242	243	226	193

SPECIFICATIONS

Model:	630 W EVO Model S 6 Bar
Light Source:	2202 x Single Mount Diode/LED's
Input Voltage:	120 - 277 V AC
Frequency Range:	50~60Hz
Power/Watts:	630 W
Amps	2.63 A
Net Weight:	16.5 kg
Light Beam Angle:	120 Degree
Body Case Material:	Die Cast/Pressed Aluminum
IP Grade:	IP45 (water resistant)
Size:	L-1160 mm x W-1060 mm x H-115 mm
Lifespan:	>50,000 Hours
Min Operating Temp:	-25°C
Max Operating Temp:	40°C
Warranty:	3 Year Warranty

DIMENSIONS



VOLTAGE

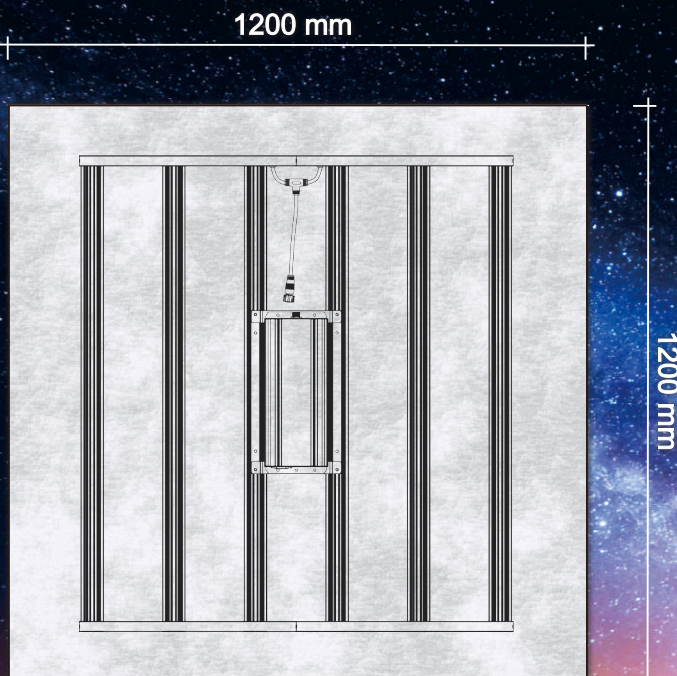
VOLTAGE	240 V
AMPERAGE	2.63 A

-25°C

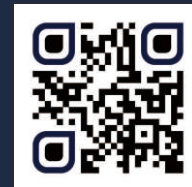
MAXIMUM RECOMMENDED LIGHT COVERAGE

PRO GROW
EVO-MODELS

630 W - 6 BAR
1760 $\mu\text{mol/s}$



SCAN FOR MORE INFO



www.progrow.net.au



SAMSUNG
LM301H

OSRAM
HYPER RED

