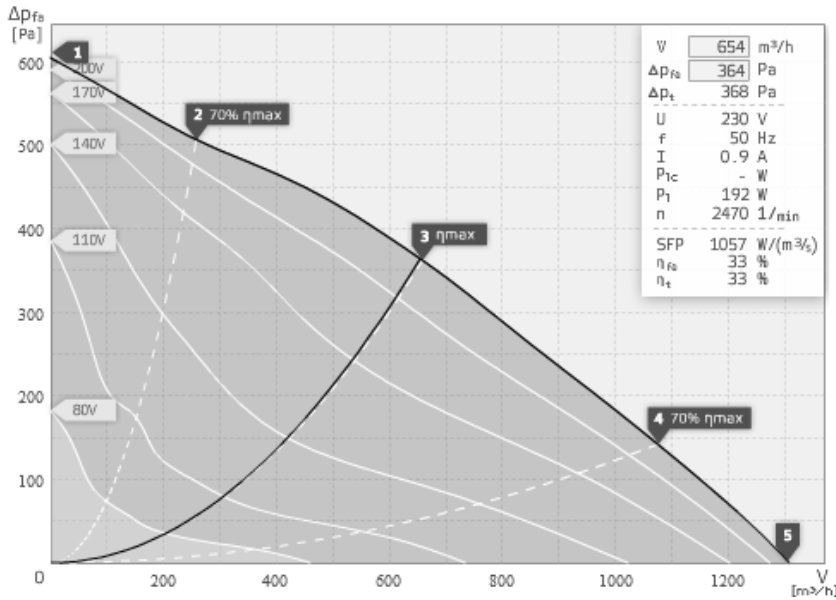


RS 315

TECHNICAL DATASHEET

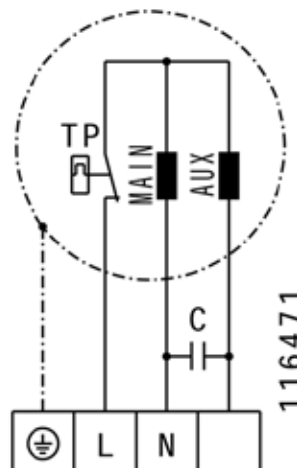
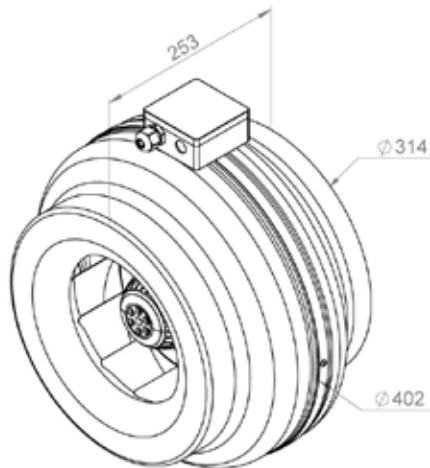


- Backward curved centrifugal fan
- Metal housing RAL 7035
- Speed controllable
- Integrated thermal switch
- Incl. terminal box

Operating Point		1	2	3	4	5
Current I	A	0,6	0,7	0,9	0,8	0,7
Power Consumption P1	W	122	155	192	173	149
RPM n	1/min	2800	2656	2470	2579	2684
SPL inlet LWA5	dB(A)	72	72	70	74	77
SPL outlet LWA6	dB(A)	75	74	72	75	78
SPL casing break out LWA2	dB(A)	63	62	61	63	67

Sound power (LW) dB(A)		Medium Frequency Band								
		Σ	63	125	250	500	1k	2k	4k	8k
Inlet	LWA5	70	35	56	57	64	66	62	61	56
Outlet	LWA6	71	37	59	62	65	66	65	63	56
Casing	LWA2	61	43	50	45	51	58	54	52	43

RS 315 104205	
Voltage UN	230 V 1~
Current Imax	0,9
Ambient Temperature tA	50 °C
Medium Temperature tM	50 °C
Speed Control	V
Motor Protection	TAI
Isolation Class	F
Weight	5,6 kg



116471