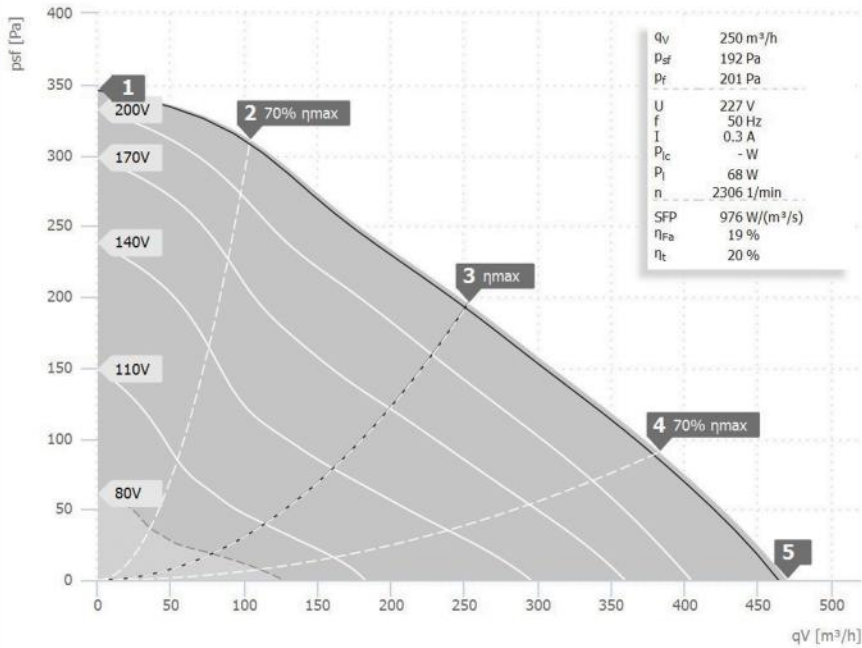


# RKW 150 - 460 m<sup>3</sup>/h

## TECHNICAL DATASHEET

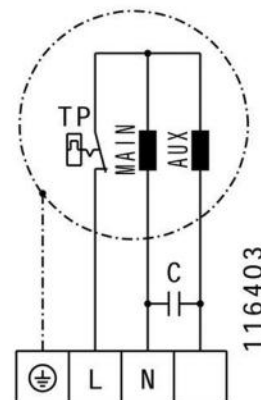
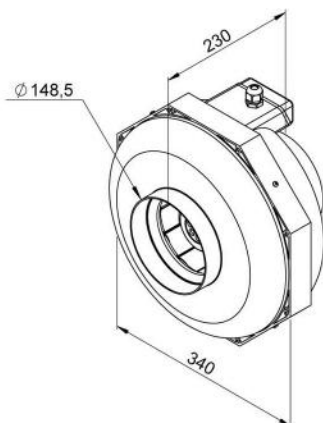


- Backward curved centrifugal fan
- Plastic housing PA6, RAL 7035
- Speed controllable
- Integrated thermostatic switch
- Incl. terminal box

Operating Point		1	2	3	4	5
Current I	A	0,3	0,3	0,3	0,3	0,3
Power Consumption P <sub>l</sub>	W	63	65	69	68	67
RPM n	1/min	2662	2555	2321	2336	2423
SPL inlet L <sub>WA5</sub>	dB(A)	67	65	63	65	68
SPL outlet L <sub>WA6</sub>	dB(A)	66	64	61	63	65
SPL casing break out L <sub>WA2</sub>	dB(A)	55	55	55	56	56

Sound power (L <sub>W</sub> ) dB(A)		Medium Frequency Band								
		Σ	63	125	250	500	1k	2k	4k	8k
Inlet	L <sub>WA5</sub>	63	29	38	51	54	59	57	54	42
Outlet	L <sub>WA6</sub>	61	30	45	56	48	54	55	51	42
Casing	L <sub>WA2</sub>	55	29	31	41	48	54	44	35	25

RK 150   104509	
Voltage U <sub>N</sub>	230 V 1~
Current I <sub>max</sub>	0,3
Ambient Temperature t <sub>A</sub>	50 °C
Medium temperatures t <sub>M</sub>	50 °C
Speed Control	V
Motor Protection	TMI
Isolation Class	F
Weight	2,8 kg



116403