



CENTURIONPRO

ELITE TRIMMING TECHNOLOGIES



OWNERS MANUAL

BUCKERS: **GC1, GC3**



IMPORTANT SAFETY INFORMATION

CENTURION PRO SOLUTIONS: GC BUCKERS

The GC Buckers are a high-powered machines that require special safety precautions to be practiced while in operation to reduce the risk of personal injury. Improper use of the GC Bucker may cause serious or fatal injury. Please read the precautions and warning labels before using the GC Bucker.

**DO NOT LEND OUT OR RENT YOUR GC BUCKER WITHOUT THIS OPERATING MANUAL.
A FIRST TIME USER SHOULD OBTAIN PROPER INSTRUCTION PRIOR TO USE.**

OPERATING THE GC BUCKER WITHOUT READING THE INSTRUCTIONS THAT ACCOMPANY A CAUTIONARY LABEL (IE. "DANGER", "CAUTION", "WARNING", OR "NOTICE" SYMBOL), MAY RESULT IN SERIOUS OR FATAL INJURY.

GENERAL

- Do not move, disassemble, clean or inspect the Bucker while the power is still connected to the machine.
- The Buckers are very heavy - Never lift alone and always use proper lifting techniques.
- Ensure unit is secured to the stand, or is on a hard and leveled surface.
- Replacement parts are specific to The Buckers and must be purchased from an authorized dealer only.
- Substituting factory parts with non-approved third-party replacements may result in damage to the machine or bodily harm.
- Keep all individuals a safe distance from the work area. Do not operate the machine around children.
- Do not remove safety labels. Replace any and all labels if they become damaged or obscured

CONNECTION

- As with home appliances, GC Buckers must be used in connection with a properly grounded receptacle.
- Never plug in or power up your Bucker machine if the protective shrouds are removed.
- Do not use extension cords smaller than 12 gauge or longer than 7.6m (25ft) in length to power the Bucker.
- Using unrated extension cords can cause motor overheating and premature failure.

OPERATION

- GC Buckers comes from the manufacturer set with the optimal blade rotation. The initial set up will show assembly instructions.
- Safety glasses and dust masks must be worn at all times when operating Buckers.
- Do not operate any Bucker machine while tired or under the influence of medication, drugs or alcohol.
- Do not put anything other than plant material into the Bucker. Doing so may cause damage to the machine or result in bodily harm.
- Operate the Bucker in a well ventilated area in order to prevent overheating.

MAINTENANCE

- Never leave the GC Bucking system running unattended.
- Never conduct maintenance or cleaning while the machine is plugged in.
- Do not modify or adapt any part of the Bucker or its accessories. Doing so may cause irreversible damage to the machine or result in bodily harm.

FOR OPTIMAL PERFORMANCE AND LIFE, THE BUCKER BLADE MUST BE REMOVED AND CLEANED AFTER DAILY USE.



GC BUCKER




AIR BLOWER


TABLE OF CONTENTS

IMPORTANT SAFETY INFORMATION	2
TABLE OF CONTENTS	3
COMPONENT OVERVIEW	4
CLEANING MAINTENANCE	5
BLOWER CLEANING MAINTENANCE	6
ASSEMBLY TO ONE STAND - GC1	7
ASSEMBLY TO THREE STANDS - GC3	8
GENERAL OPERATIONS	9
PLANT PREP 101 - 3 STEPS FOR OPTIMAL PROCESSING, DRY BUCKING TIPS	10
GENERAL PERFORMANCE SPECIFICATIONS GC1	11
GENERAL PERFORMANCE SPECIFICATIONS GC3	11
TROUBLE SHOOTING	12
FREQUENTLY ASKED QUESTIONS	12
ADDITIONAL ASSISTANCE	13
WARRANTY	13

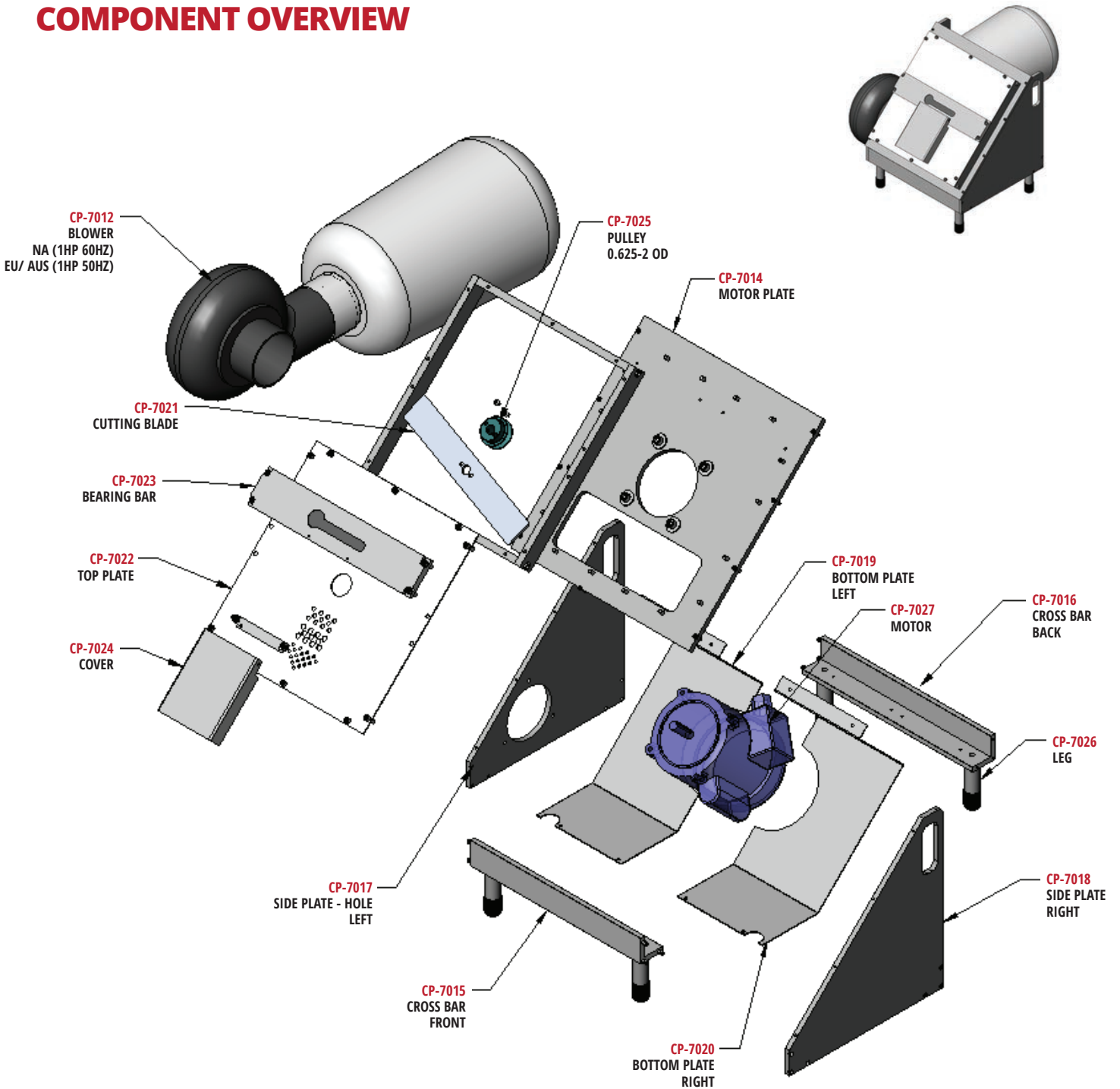
GC1 - ADDITIONAL REQUIREMENTS	
EXTENSION CORD	14 AWG (min AWG SIZE)
	7.6m/25ft MAX LENGTH

HP BUCKER CONNECTIONS	
CANADA, USA, MEXICO & JAPAN CONNECTOR PLUG REGULAR WALL OUTLET	

GC3 - ADDITIONAL REQUIREMENTS	
EXTENSION CORD	12 AWG (min AWG SIZE)
	7.6m/25ft MAX LENGTH

HP BUCKER CONNECTIONS	
EUROPE, SOUTH AMERICA & ASIA CONNECTOR PLUG REGULAR WALL OUTLET	

COMPONENT OVERVIEW



CLEANING & MAINTENANCE *Ensure machine is unplugged before cleaning.

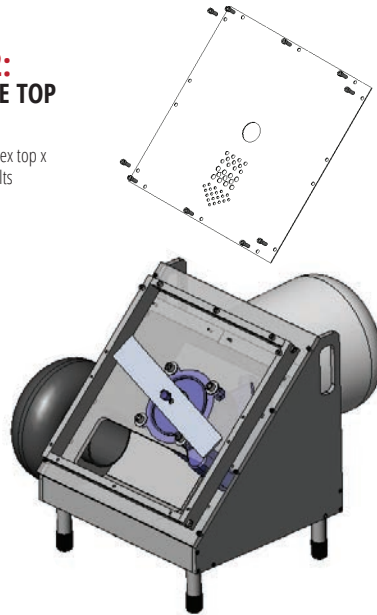
**STEP 1:
REMOVE
BEARING BAR**

4 - 3/16" hex top x 0.75" bolts



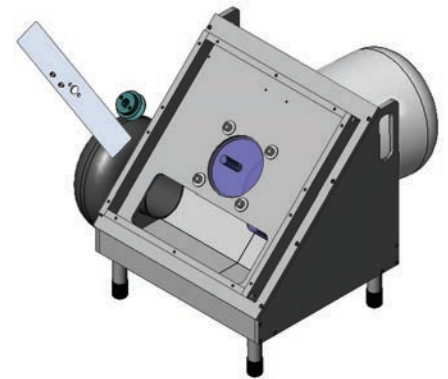
**STEP 2:
REMOVE TOP
PLATE**

10 - 3/16" hex top x
0.5" bolts



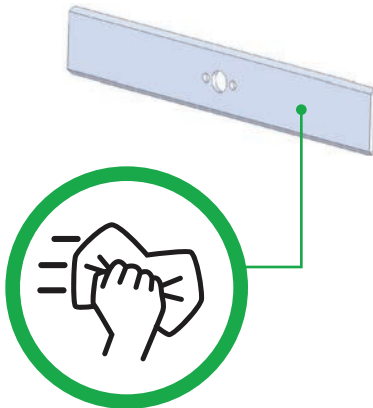
**STEP 3:
BLADE
REMOVAL**

2 - 1/8" x 0.5" bolts



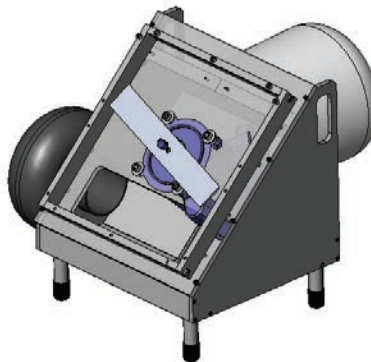
**STEP 4:
BLADE
CLEANING**

Clean the BLADE of debris by soaking in warm water and wiping down with alcohol.



**STEP 5:
CLEAN
BLOWER**

Please refer to "Blower Maintenance & Cleaning" section of the manual.



**STEP 6:
REASSEMBLE
BUCKER**

Re-assemble bucket in reverse order.



FOR OPTIMAL PERFORMANCE AND LIFE, THE BUCKER BLADE MUST BE REMOVED AND CLEANED AFTER DAILY USE.

110V North America
220V Australia EU

BLOWER CLEANING & MAINTENANCE

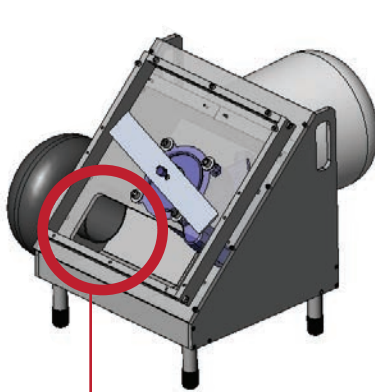
*Ensure machine is unplugged before cleaning.



CLEAN LOOSE DEBRIS AFTER 10 HOURS OF USE.

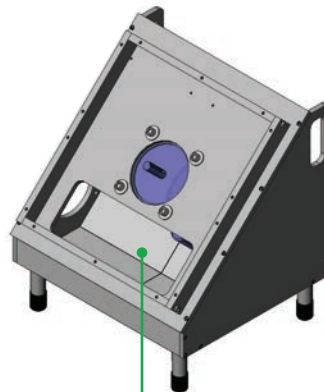
STEP 1: DISASSEMBLE BLOWER

Remove 3 - Hexagon cap screws
6mm x 20mm bolts from inside of
machine to detach blower.



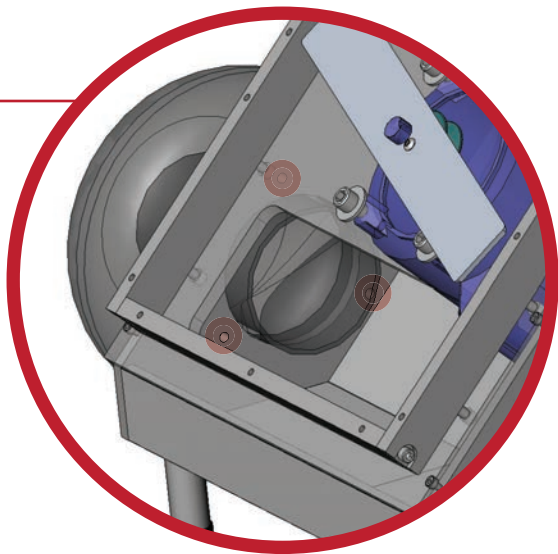
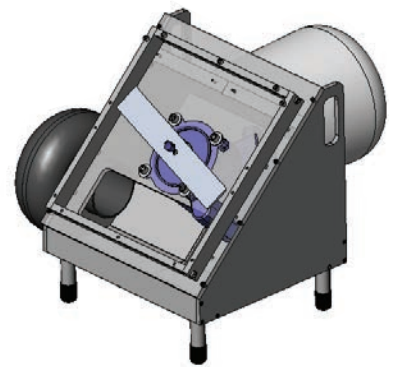
STEP 2: CLEANING

Thoroughly clean inside bucket by
removing all loose debris & blockage.



STEP 3: REASSEMBLE

Reassemble blower
as per step 1.



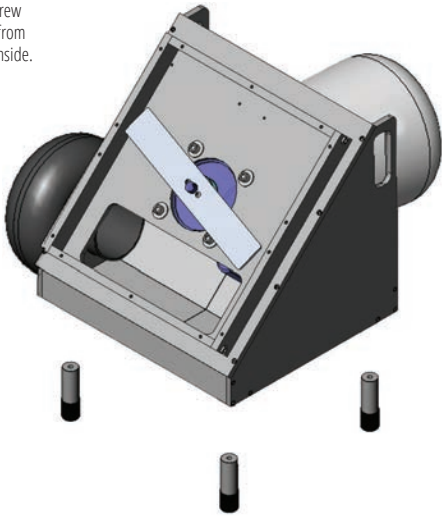
GC1

ASSEMBLY TO ONE STAND

*Ensure machine is unplugged before cleaning.

STEP 1: REMOVE LEGS

Unscrew
legs from
the inside.

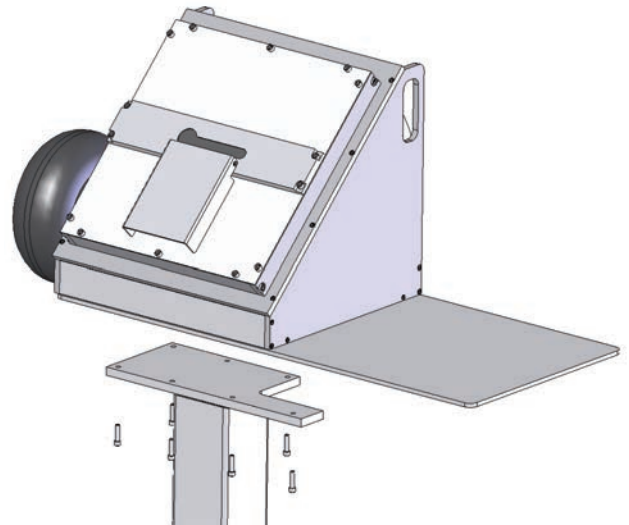


STEP 2: MOUNT BUCKER ONTO STAND

A) Line up existing holes on the Buckler to the holes on the adapter plate. Attach using:
4 - 3/8" x 1" bolts
4 - 3/8" nuts
4 - 3/8" x 7/8" washers

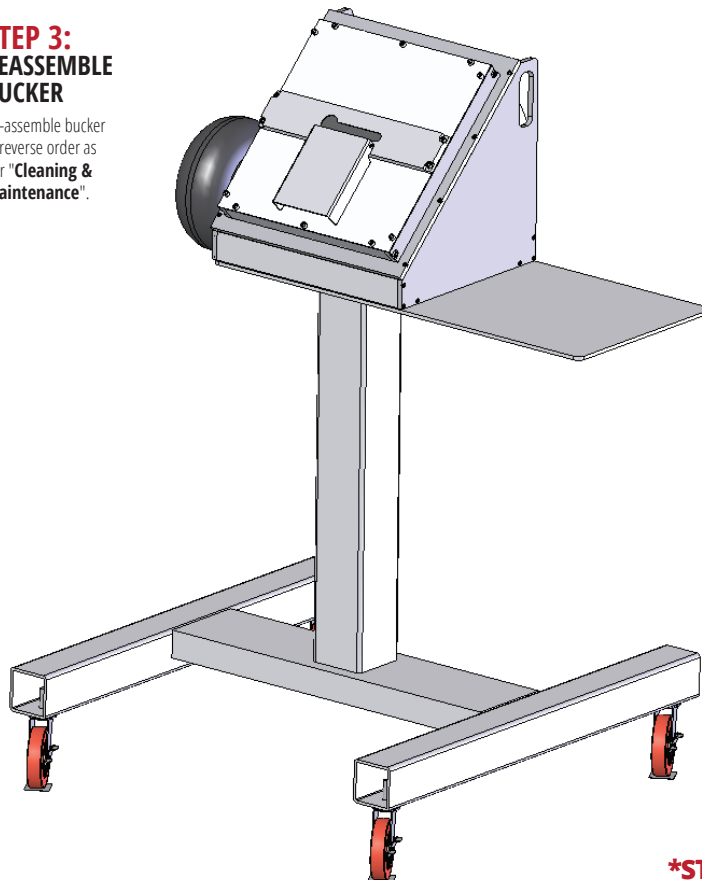
B) Line up existing holes on the stand to the holes on the adapter plate. Attach using:
7 - 3/16" x 0.75" bolts

Repeat 3x for the Triple Stand



STEP 3: REASSEMBLE BUCKER

Re-assemble buckler
in reverse order as
per "Cleaning &
Maintenance".



***STAND SOLD SEPERATELY**

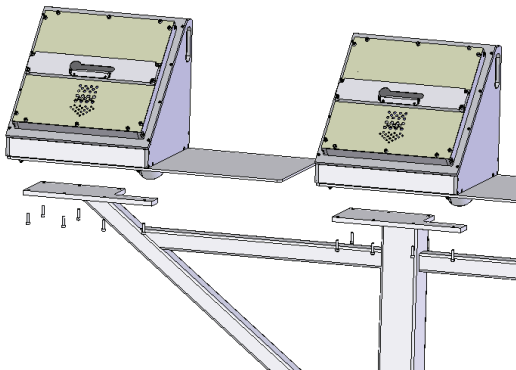
GC3

ASSEMBLY TO THREE STANDS

*Ensure machine is unplugged before cleaning.

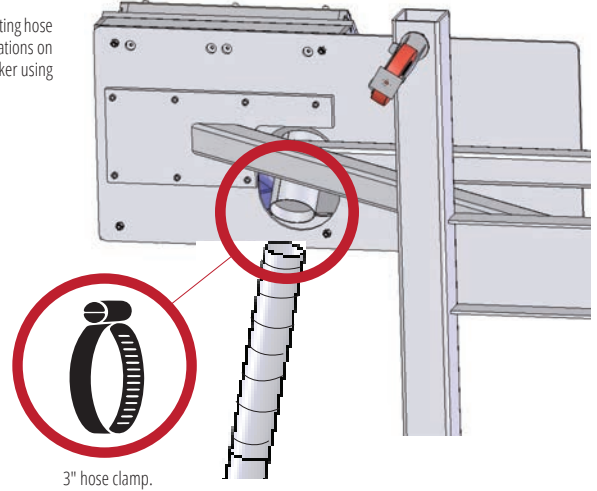
STEP 1: MOUNT BUCKER ONTO TRIPLE STAND

- A) Line up existing holes on the Bucker to the holes on the adapter plate. Attach using:
 - 4 - 3/8" x 1" bolts
 - 4 - 3/8" nuts
 - 4 - 3/8" x 7/8" washers
- B) Line up existing holes on the stand to the holes on the adapter plate. Attach using:
 - 7 - 3/16" x 0.75" bolts



STEP 2: CONNECT FLEX DUSTING HOSE TO BUCKER

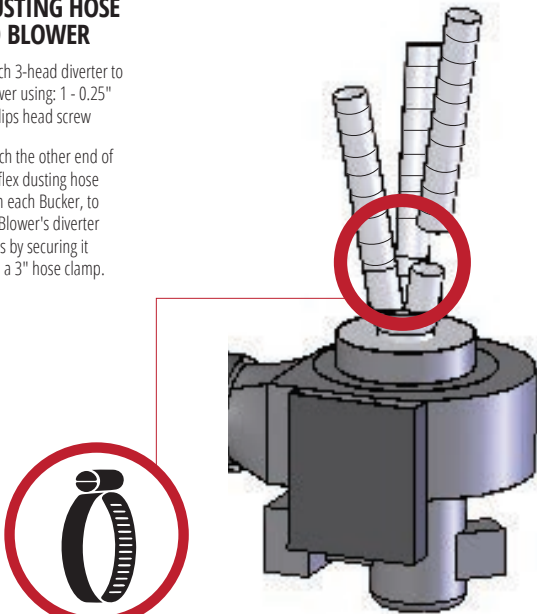
Attach flex dusting hose to all 3 workstations on bottom of Bucker using ??? screws.



3" hose clamp.

STEP 3: CONNECT FLEX DUSTING HOSE TO BLOWER

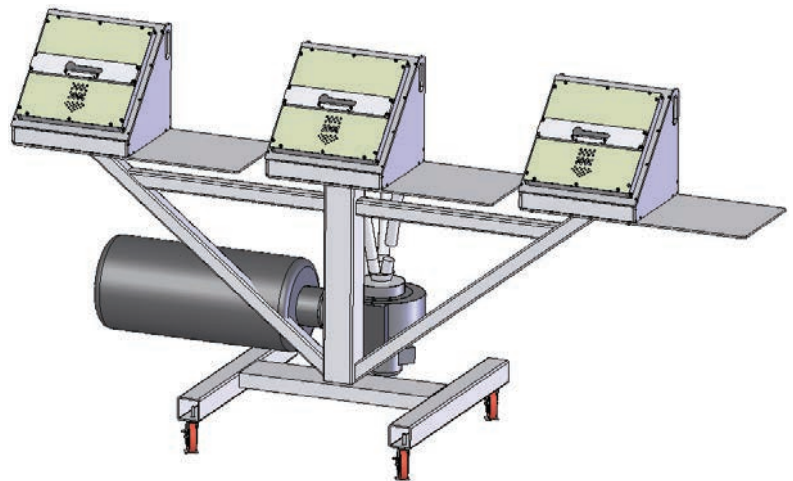
- A) Attach 3-head diverter to blower using: 1 - 0.25" phillips head screw
- B) Attach the other end of the flex dusting hose from each Bucker, to the Blower's diverter ports by securing it with a 3" hose clamp.



3" hose clamp.

STEP 4: REASSEMBLE BUCKER

Re-assemble bucker in reverse order.



GENERAL OPERATIONS

PREPPING YOUR PLANT: 2 STEPS FOR OPTIMAL PROCESSING

1) ENVIRONMENT PREPARATION

- Ensure adequate space
- Review electrical requirements
- Have adequate bins for product transport
- Cooler temperatures in processing room is beneficial

2) PLANT PREPARATION

- Cut main stalk
- Separate each individual stem (no 'Y' junctions)
- Leave 3" of stem for clearance into machine
- Ensure clean angled cuts for precise feeding
- Keep prepped product stem side up for efficiency
- Size the stem to fit the ideal hole
- Feed end first into machine

CLEANING

A thorough cleaning of the GC Bucker should be performed after each use. Any resin build-up on the machine attracts more resin, compounding the problem. Build-up can cause decreased performance, overheating and could trip your circuit breaker. Future cleaning also becomes more difficult if build-up is given a chance to dry out and harden. Operating the GC Bucker in a cold environment will also reduce resin build-up.

After disassembly, all chutes, springs and guards can be soaked using hot water and, or wiped with isopropyl alcohol. Soak all other surfaces with soap and warm water and let sit for 5-10 minutes. Repeat 2-3 times to soften the resin, then powerwash to remove debris. Be sure to wash the under side of the cartridge also. Any stubborn areas, such as the top plate, may require scrubbing with a stiff bristled or a plastic scraper (do not use a metal scraper). Plant matter build-up is the most obvious sign that more attention is needed in a particular area. Dry the machine with compressed air or a soft cloth.

Directions for cleaning:

1. Make sure Bucker is turned off
2. Using provided tools, remove Bearing Bar and then the Top Plate
3. Clean Top Plate with isopropyl alcohol using brushes provided
4. Spray Top Plate liberally with isopropyl alcohol
5. Wipe down using a soft cloth, making sure the machine is dry completely
6. Clear out any debris on the bottom of the chute
7. Spray blade liberally with isopropyl alcohol
8. Wipe down using a soft cloth, making sure the machine is dry completely

MATERIALS NEEDED

- Tool kit provided with Bucker
- Brush / Plastic scraper
- Spray bottle filled with isopropyl alcohol
- Soft cloths

INSPECTION

Inspection of the either GC Bucker should be conducted prior to each use following the upcoming disassembly section and these steps:

1. Unplug the Bucker and visually inspect all of the components for wear, damage and plant matter build-up.
2. Remove the bearing plate, top plate. See disassembly section for instructions.
3. Inspect the blade for damage or cracking.
4. Remove springs and ensure the upper jaw rotates up and down freely.
5. Ensure the blade spins freely
6. Visually inspect the blower and ensure the Bucker is free of loose debris.

MACHINE MAINTENANCE

The GC Bucker is a precision machine. It is essential that it is operated and maintained with this in mind. The machine has been adjusted and tested by the manufacturer prior to shipping to ensure optimal performance. However, it is important to inspect the machine at initial start-up and after each use to ensure that no damage or plant material build-up has occurred and that the blades spin freely.

In addition, it is highly recommended to clean the machine at the end of every use. This ensures that the blades are kept lubricated and that resin does not build-up and affect performance. This is especially important if the machine has been stored for an extended period of time.

Resins and other plant by-products will build up and harden, becoming difficult to remove. Cold water is recommended to spray on blades during harvest to reduce build-up.

NOTE

- There are a series of holes located on the front of the top plate for bucking
- Stems are fed through the holes of the machine by hand
- Each plant must have 3 inches of base stem to clear the buckers
- Please note all strains run differently and certain denser strains can need the top colas taken off before being run

PLANT PREPPING 101



3 STEPS FOR OPTIMAL PROCESSING



ENVIRONMENT PREPARATION

- Ensure adequate space
- Review electrical requirements
- Have adequate bins for product transport
- Cooler temperatures in processing room is beneficial



PLANT PREPARATION

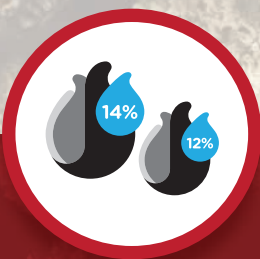
- Cut main stalk
- Separate each individual stem (no 'y' junctions)
- Leave 3" of stem for clearance into machine
- Ensure clean angled cuts for precise feeding



FEEDING

- Keep prepped product stem side up for efficiency
- Size the stem to fit the ideal hole
- Feed end first into machine
- Use variable speed control to adjust flow

DRY BUCKING TIPS



MOISTURE CONTENT

- Moisture content is critical for ensuring minimal damage to the flower
- Flower that is too dry will fall apart
- Flower that has too much moisture will compact and dent
- For best results with dry bucking, moisture content should be between 12% and 14% when using a machine



BUD CONSISTENCY

- Buds should be "springy" - when the flower is squeezed between two fingers it will rebound and return to its original shape
- Both big and smaller stems must be pliable when bucking with a machine such as a GC or HP System
- Pliable stems ensures that they fold and are stripped upon entering the bucking machine. If too brittle, they will simply break off and will not be properly stripped



MACHINE SPEED

- Slowing the machine speed for dry bucking will lead to a better result
- Dry bucking at 1/2 or 1/3 of the regular speed will ensure better results
- The variable speed control offered by our HP Bucker is a great feature when bucking dry material

GC1 BUCKER SPECIFICATIONS

GC1 BUCKER	
Input Voltage	NA: 6 Amp - 110V, 60Hz Single Phase EU, AUS: 3 Amp - 220V, 50Hz Single Phase
Current Draw	< 3A Operating
Motor	0.25HP
Motor RPM	1750 RPM
Weight (w/o stand)	40lbs /18kg
Length	28in / 71cm
Width	14in / 36cm
Height	15in / 38cm
Circuit Breaker Required	NA: 15A/120V EU, AUS: 15A/220V

GC1 BUCKER FEATURES

Feed Throughput	+40lbs/hr (Hydrated)
Feed Entry Sizes	3-hole (3/16", 1/4", 3/8")
Feed Types	Wet/Dry
GMP Compliant*	Yes
UL Compliant*	Yes
CE Compliant*	Yes
RoHS Compliant*	Yes
Primary Material	304 Stainless Steel / Aluminum

GC3 BUCKER SPECIFICATIONS

GC3 BUCKER	
Input Voltage	NA: 25 Amp - 110V, 60Hz Single Phase EU, AUS: 9 Amp - 220V, 50Hz Single Phase
Current Draw	< 23A Operating
Motor	0.25HP (x3)
Motor RPM	1750 RPM (x3)
Weight (w/ stand)	520lbs /236kg
Length	85in / 216cm
Width	32in / 82cm
Height	51in / 130cm
Circuit Breaker Required	NA: 30A/120V EU, AUS: 20A/220V

GC3 BUCKER FEATURES

Feed Throughput	+120lbs/hr (Hydrated)
Feed Entry Sizes	3-hole (3/16", 1/4", 3/8")
Feed Types	Wet/Dry
GMP Compliant*	Yes
UL Compliant*	Yes
CE Compliant*	Yes
RoHS Compliant*	Yes
Primary Material	304 Stainless Steel / Aluminum



TROUBLE SHOOTING

1) MOTOR IS VERY HOT

The motor is designed to operate at higher temperatures, avoid contact with the motor during regular operation. The motor is thermally fused and will shut down automatically if overheating occurs

2) MACHINE IS JAMMED, OR MISFED WITH PLANT MATTER

This can happen when too large of a branch is put through the machine.

3) THERE IS A GRINDING SOUND COMING FROM THE MACHINE

This can be caused by worn out bearings, misaligned gears or improperly installed components. With the machine turned 'Off' and unplugged, try removing the Bearing Bar and Top Plate and spin the blade by hand, if the blade rotates smoothly there is an issue with the drive assembly. If the blade was recently replaced / cleaned; then it is likely an alignment issue, otherwise the bearings are damaged and need replacement.

4) THE PULL FORCE SEEMS WEAK

This could be caused by excessive debris build-up in the blower or the blade has been damaged. Disassemble, clean and inspect machine to determine the issue.

5) DOES THE STEM HAVE TO BE A CERTAIN LENGTH TO FEED TO THE BUCKER?

Yes, there must be 3 inches of base stem to clear the cutters.

6) DO I NEED A SPECIAL OUTLET FOR THE BUCKER?

CenturionPro Buckers can be plugged into any standard 110V wall outlet (220V AUS/EU).

7) DO THE GC BUCKER WORK BEST WITH A PARTICULAR STRAIN?

GC Buckers can handle any strain but please note that all strains run differently and denser strains may need the top colas taken off before being run.

FOR ALL OTHER ISSUES, PLEASE EMAIL techsupport@cprosolutions.com, WE WOULD BE HAPPY TO HELP YOU.

FREQUENTLY ASKED QUESTIONS

HOW EASY IS IT TO CLEAN?

Our machines can be taken apart and cleaned within 10-15 minutes. The Bucker must be cleaned after daily use. Just spray the rollers liberally with isopropyl alcohol, then wipe with a soft cloth. We recommend to clean every 4-6 hours of use, but it depends on your strain. We know the importance of down time during a harvest so we wanted to make this process extremely quick and easy

DO YOUR MACHINES TRIM WET OR DRY?

All CenturionPro Buckers trims both wet and dry to fit your processing needs.

ARE YOUR MACHINES BUILT TO AN INDUSTRIAL STANDARD?

We do not compromise quality for cost savings. All CenturionPro Solutions machines are composed of the highest quality materials available in North America and each machine is put through a comprehensive quality control inspection. We only use brand name components in the build out of our Bucker machines which enables us to have the comfort in giving you a 5 year warranty. With proper maintenance these machines will last you well over a decade.

WHAT IS THE OPTIMAL ROOM TEMPERATURE TO TRIM?

Use your CenturionPro Bucker in 50-60 °F (10- 15 °C) room to get the best performance. Cooler temperatures prevent excessive sticking to machine components.

MY MACHINE IS NOT WORKING LIKE IT DID WHEN IT WAS NEW, WHY?

Make sure to fully clean the machine and rollers. If the machine is clean and the rollers are free of debris, then your machine should trim exactly like it was new.

**WE ARE OPEN MONDAY THROUGH FRIDAY FROM 9AM TO 5PM PST - PH: 1-855-535-0558
FILLING OUT THE "CONTACT US" FORM ON THE WEBSITE, IS ANOTHER SURE WAY TO GET IN TOUCH.**

!! IMPORTANT !!

WARRANTY

YOU MUST REGISTER YOUR BUCKER WITHIN 30 DAYS OF YOUR PURCHASE

YOU HAVE JUST MADE A SMART DECISION BY PURCHASING THE BEST BUCKER IN THE WORLD. FAILURE TO REGISTER YOUR MACHINE WITHIN 30 DAYS OF PURCHASE WILL VOID YOUR 10 YEAR WARRANTY. PROTECT YOUR INVESTMENT. THIS PROCESS WILL ONLY TAKE 3 MINUTES TO COMPLETE.

TO REGISTER GO TO:

cprosolutions.com/warranty

WARRANTY TERMS AND CONDITIONS

CenturionPro Solutions (the manufacturer) will repair or replace, without charge, any parts proven defective in material or workmanship for a period of 5 years on the Bucker Machine and 1 year on the Blower.

The warranty period will begin on the date the machine(s) is purchased by the initial purchaser. Product or component warranty defects can be remedied at any authorized service dealer, or directly at the manufacturer. Any service work performed, and deemed valid due to a defective part, will be free of charge. CenturionPro Solutions reserves the right to use any manufacturer-approved replacement part for the warranty repair

The machine or defective part then must be returned to the manufacturer for analysis or replacement at the cost of the owner. Parts deemed to be covered under the warranty will be provided for free excluding shipping costs.

Do not return the machine to the place of purchase for repair or warranty claims, unless you have been authorized by CenturionPro Solutions to do so. The place of purchase can only sell replacement parts and will not repair any warranty issues, unless it is noted as an authorized repair dealer and has been authorized to work on your machine.

IF WARRANTY REPAIR IS REQUIRED, PLEASE CONTACT THE MANUFACTURER AT 1-855-535-0558 OR techsupport@cprosolutions.com AND PROVIDE THE FOLLOWING INFORMATION:

- 1. Model and serial number**
- 2. Proof of purchase date**
- 3. A copy of the original Warranty Registration Card or Online Submission**
- 4. Details of the defect or problem (include photos and videos)**

YOU MAY BE DENIED WARRANTY COVERAGE IF YOUR MACHINE HAS FAILED DUE TO ANY OF THE FOLLOWING:

Product abuse	Normal wear
Product neglect	Accidental damage
Improper maintenance	Unapproved modifications
Improper electrical connection	

LIABILITIES

The manufacturer assumes no risk and shall be subject to no liability for damages or loss resulting from the specific use or application made of the product. In no event will the manufacturer be liable for any special, incidental or consequential damages (including loss of use, loss of profit and claims of third parties) however caused - whether by negligence of the manufacturer or otherwise. If you have any questions regarding your warranty rights and responsibilities, please contact the manufacturer.

LEGALITIES

CenturionPro Buckers are intended for use on legal aromatic herbs and hops. Please check all municipal, provincial/state and federal laws and regulations before using these machines. CenturionPro Solutions does not promote or condone the use of these products in any way that may be deemed illegal.

To receive maximum performance and satisfaction from the Buckers, it is important that you read and understand the safety and maintenance precautions before using the machine.

CENTURION



CENTURIONPRO

ELITE TRIMMING TECHNOLOGIES



cprosolutions.com



1 855 535 0558



info@cprosolutions.com

FOLLOW US ON:

