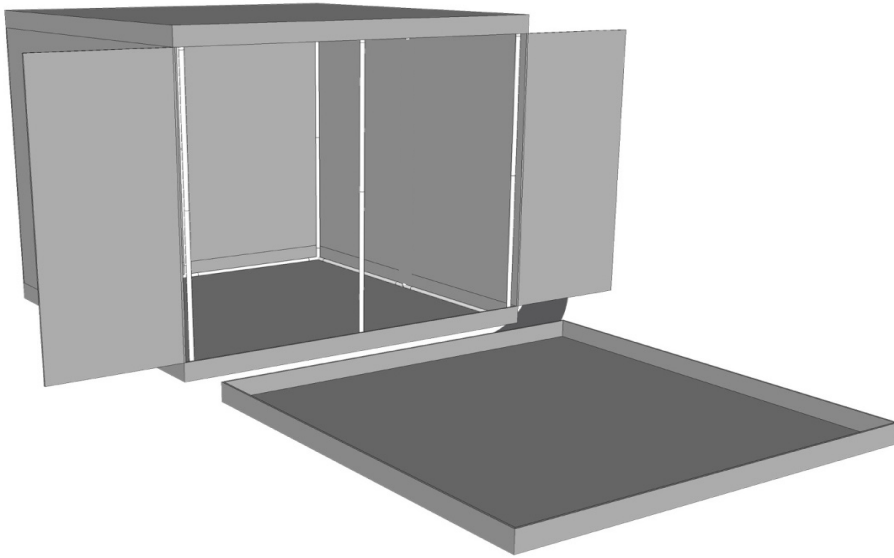


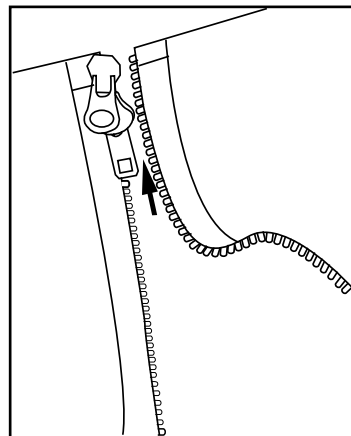
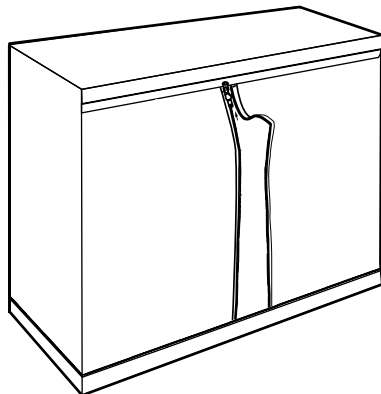
## Step 10

Place floor tray/liner inside the tent floor and secure to Velcro pieces of the tent cover.



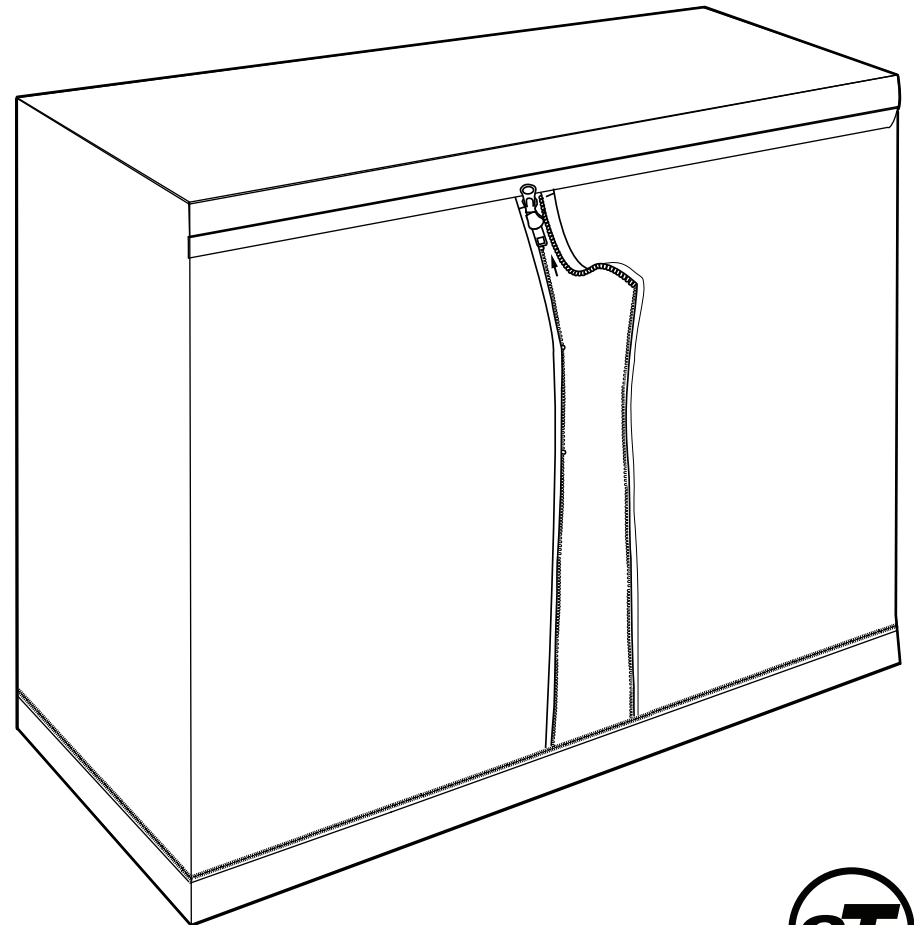
## Step 11

Close all zippers. All parts have been assembled.



Grow tent ASSEMBLY INSTRUCTIONS

JR - 220120200



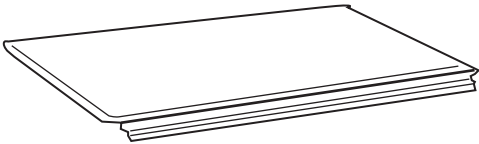
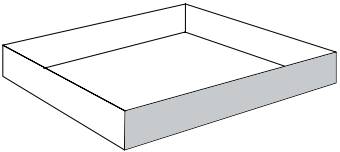
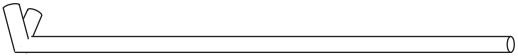
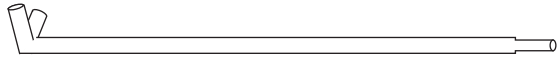
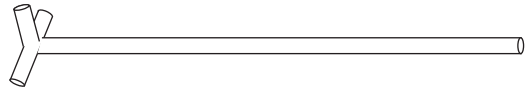
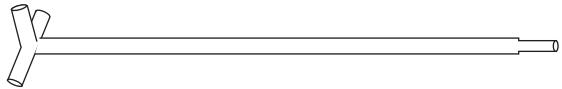
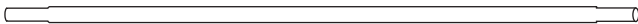


TENT SIZE: Length: 220cm - Width: 120cm - Height: 200 cm





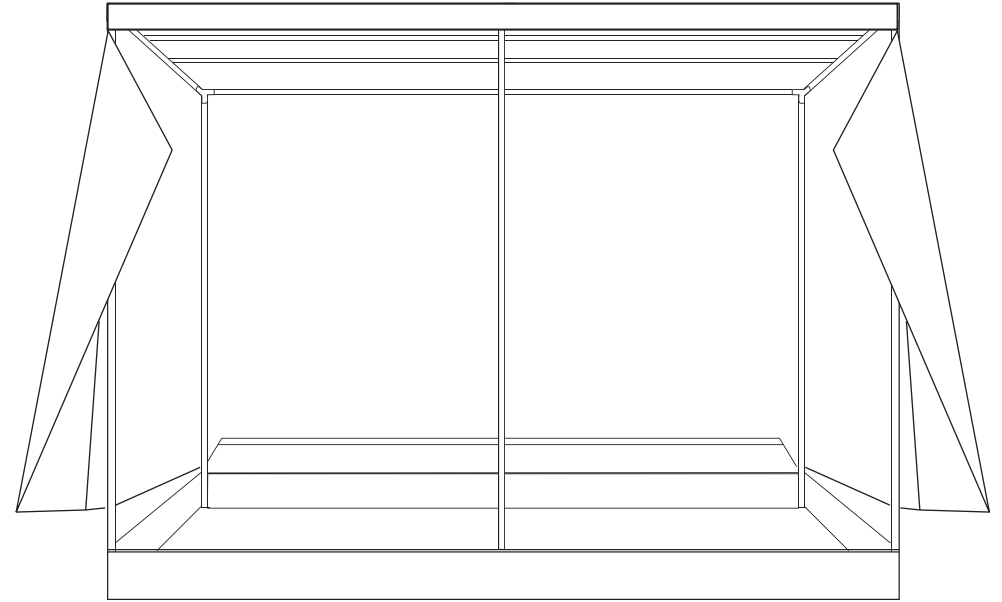
**No tools  
required**

## Parts list

- 1x**  **Tent cover**
- 1x**  **Floor Tray**
- 4x**  **1**
- 4x**  **2**
- 2x**  **3**
- 2x**  **4**
- 14x**  **5**
- 2x**  **6**
- 2x**  **7**

## Step7

Gently pull up the back of the tent cover such that the two upper back corners of the cover are squarely in place. Note that having a helper makes this process easier.



## Step8

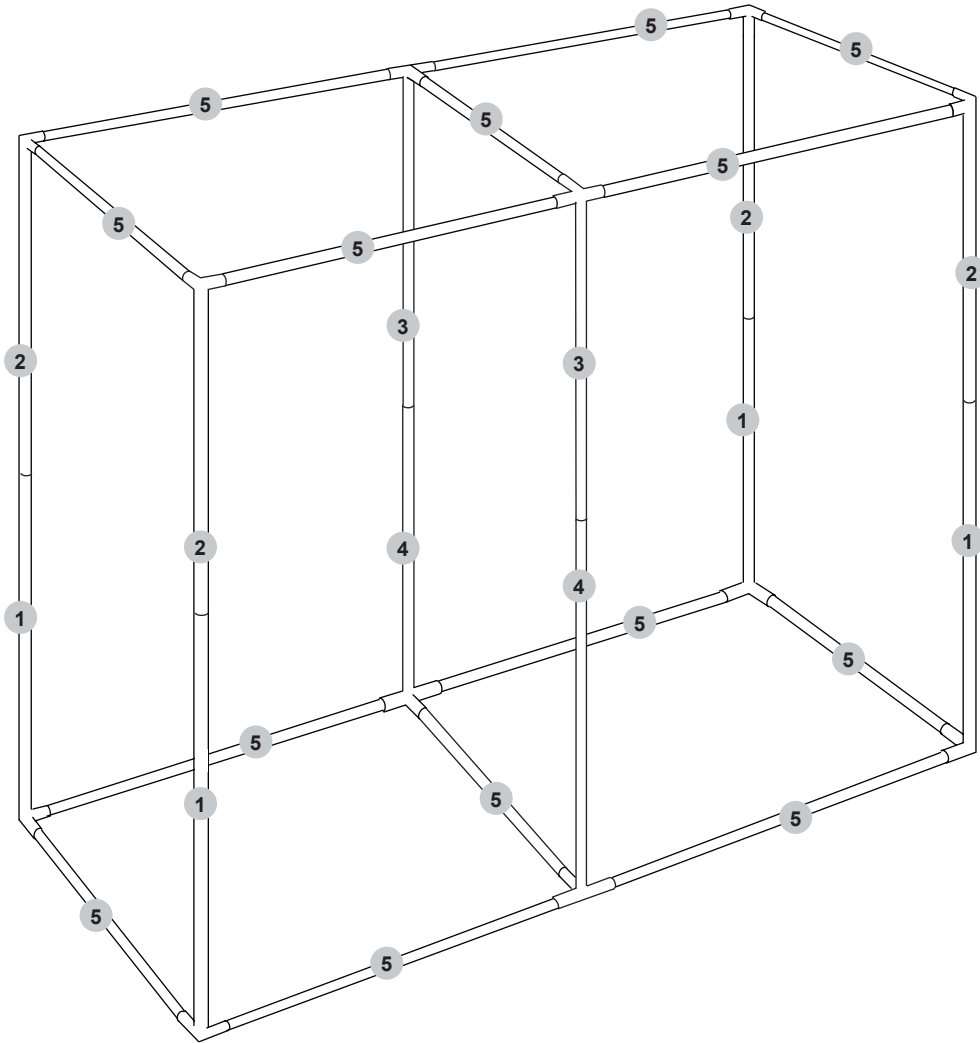
Gently pull the "roof" of the tent to cover the two upper front corners

## Step9

Gently wriggle/adjust all eight corners until cover is square against the frame

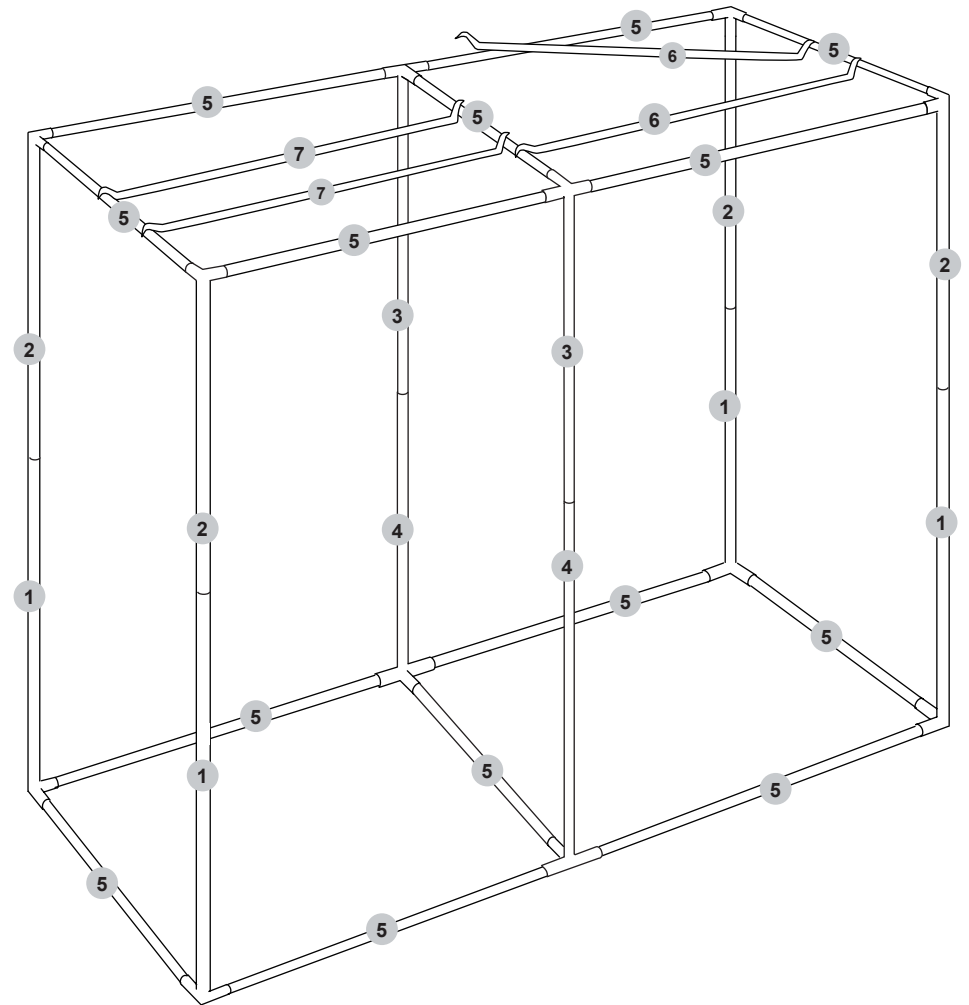
# Step3

Assemble remaining parts of the frame as shown below, once the frame is assembled, make sure that all the poles are fully inserted into the corners.



# Step4

Place hanging poles 6 and 7 on top of the frame.

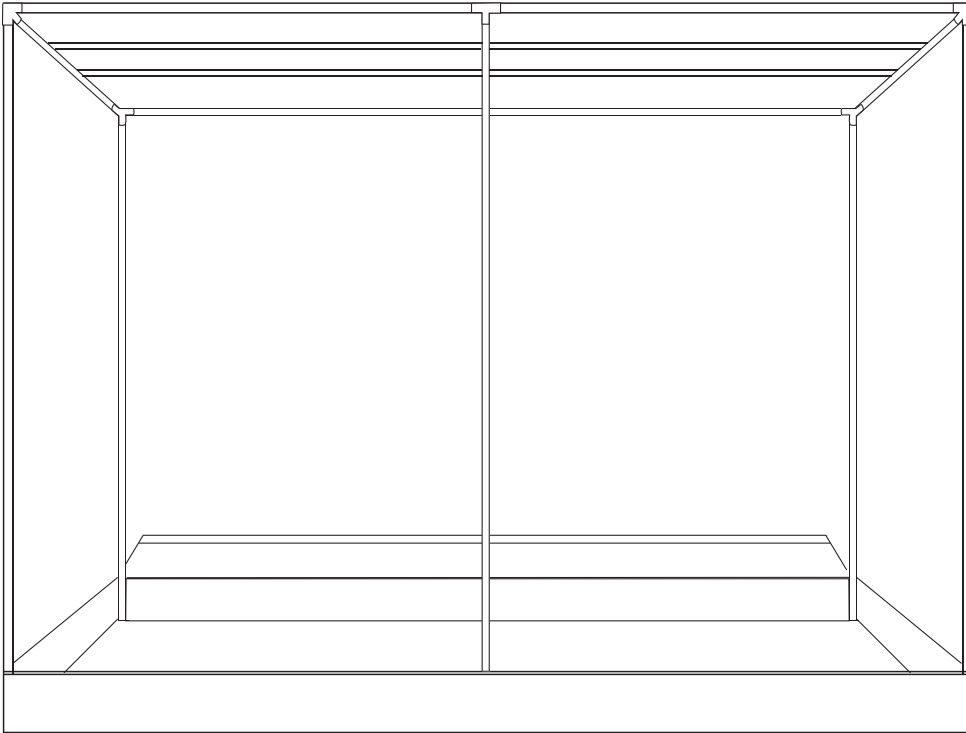


## Step5

Unzip all zippers of the tent cover all the way.

## Step6

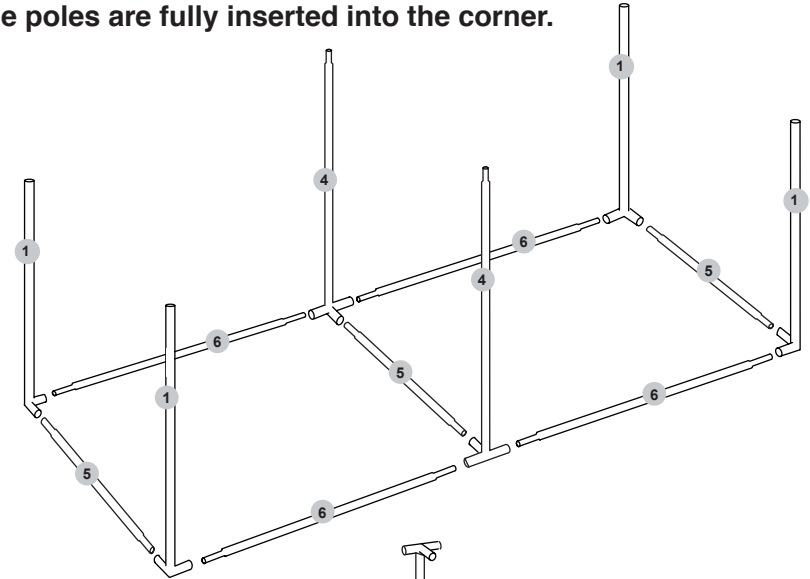
Put frame upright on the base of the tent, making sure that all four corners are inside the base.



6

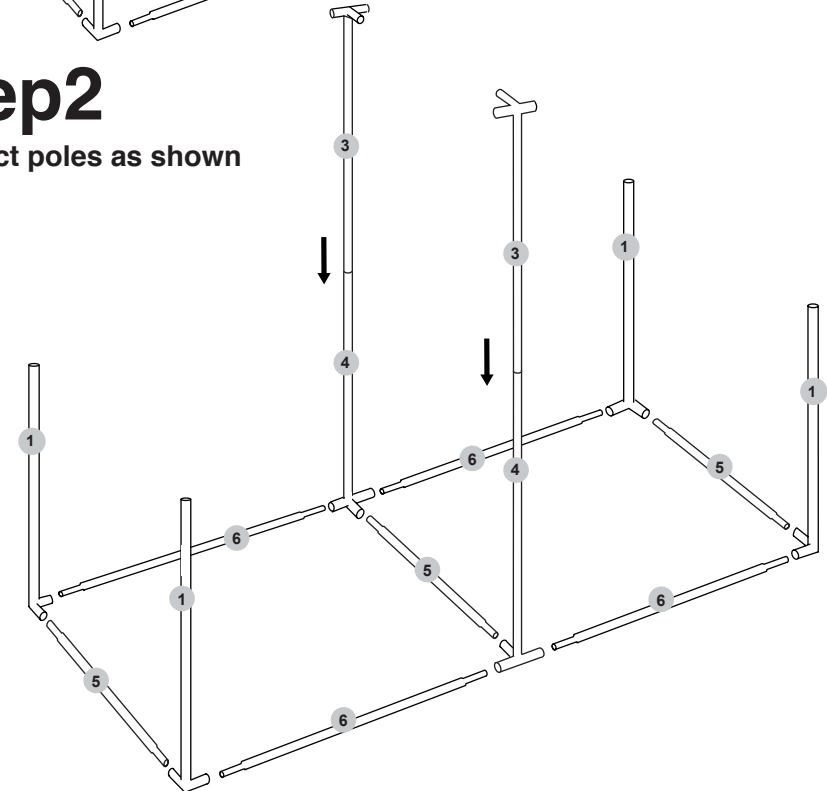
## Step1

Assemble the bottom half of the frame as shown, making sure that the poles are fully inserted into the corner.



## Step2

Connect poles as shown



3