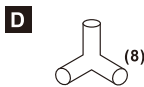
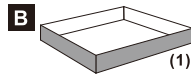


# Grow Tent Assembly Instructions

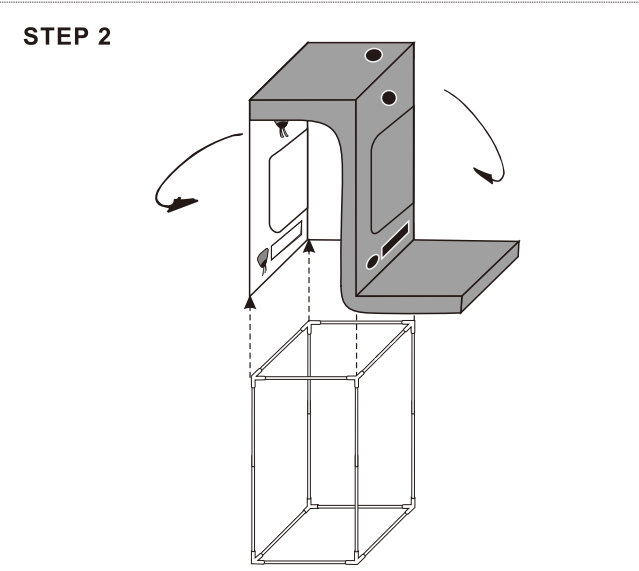
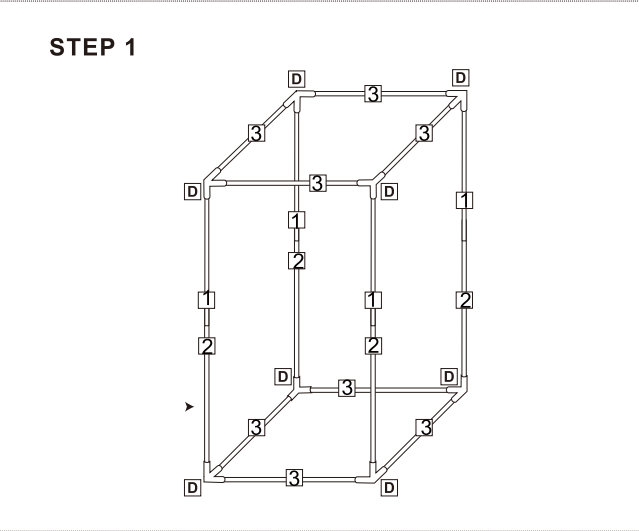
For Tent Size: 100x100x200-230cm  
 120x120x200-230cm  
 140x140x200-230cm  
 150x150x200-230cm

## COMPONENTS

(A) Tent, (B) Floor Tray, (C) Filter Straps,  
 (D) Corner Adapter, (1-5) Framework Support

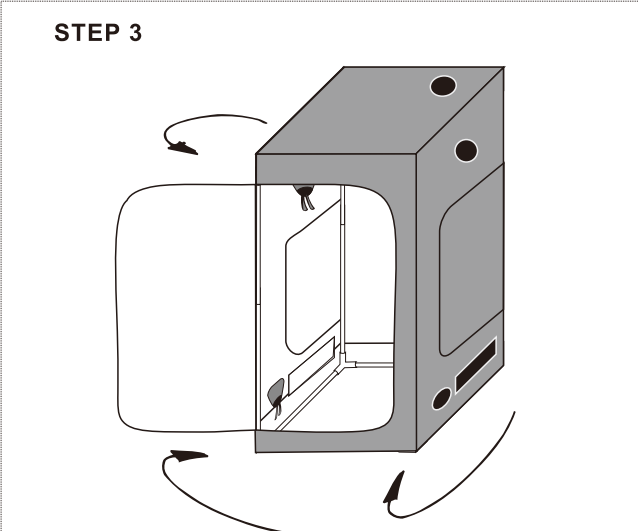


- |   |  |       |
|---|--|-------|
| 1 |  | 4 pcs |
| 2 |  | 4 pcs |
| 3 |  | 8 pcs |
|   |  | 2 pcs |
|   |  | 1 pc  |



Unzip all zippers of the tent cover all the way.

First Gently pull up the top of tent shell on the frame  
 make sure all corners are squarely in place.  
 Having a helper makes this process easier.



Then pull the bottom of tent shell to cover  
 the base of tent frame properly.  
 Put all hanging bars on the top of frame.

