

PH /TEMPERATURE PEN



8686

IP65 pH pen/Low Ionic Strength pH Pen 8684/8685/8686/86851

- Big LCD with dual display
- pH/ Temperature dual display
- Measuring stability indicator
- One touch auto-calibration up to 3 points
- Calibration values are adjustable
- Cap to keep sensor wet & last life time
- Perfect for well water, surface water, lake water, treated effluent water and boiler feed water (86851 only)



Auto Power Off



Auto Temp. Compensation



Metric/ Imperial



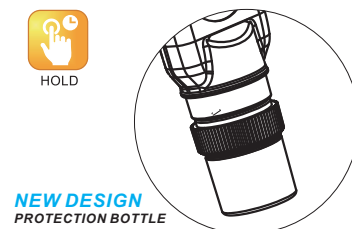
Low Battery



HOLD



IP65



NEW DESIGN
PROTECTION BOTTLE



8684



8685



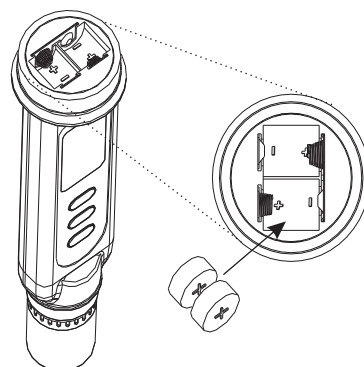
Low Ionic
Strength
pH Pen



86851

Model	8684	8685/86851	8686
pH range	2.0~12.0	0.0~14.0	0.00~14.00
pH accuracy	+/-0.3	+/-0.2	+/-0.05
pH resolution	0.1	0.1	0.01
Temp. range	N/A	0~60.0°C	0~60.0°C
Temp. accuracy	N/A	+/-1°C	+/-0.5°C
Temp. resolution	N/A	0.5	0.1
ATC	N/A	ATC	ATC
LCD size	30(H)x18(W)mm		
Operating temp.	0~50°C		
Operating RH%	Humidity<80%		
Storage temp.	-10~50°C		
Storage RH%	Humidity < 90%		
Sensor life time	>6 months (with good maintenance)		
Dimension	165(L)x35(W)x32(H)mm		
Weight	115g		
Battery	LR44 x 4pcs		
Optional	N/A		
Standard Package	Meter/Battery/Manual/Paper box		

Install the battery with correct polarity:



Ordering Code

VZ8684AZ, 8684 pH pen

VZ8685AZ, 8685 pH pen

VZ8686AZ, 8686 pH pen

VZ86851AZ, 86851 low ionic strength pH pen

*Available for EB project