

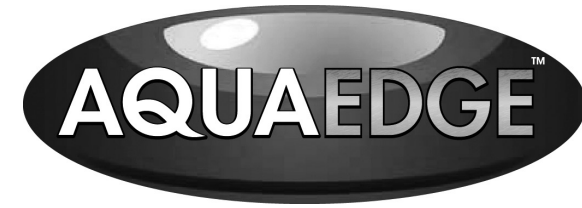


WARRANTY AGAINST DEFECTS

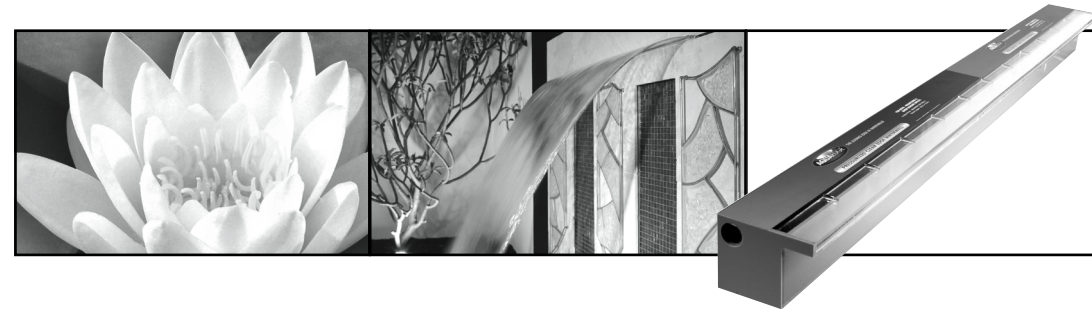
This product comes with a warranty against defects (Warranty). The benefits provided in this Warranty are in addition to other rights and remedies available to you under the Australia Consumer Law. The Warranty is provided to the original purchaser of the product on the following terms:

- The Warranty is given by Chemkay Pty Ltd trading as Aquatec Equipment: Po Box 2087, Seville Grove, WA 6112; contactable by phone 1300 552 202 or email info@aquatecequipment.com.
- To make a claim under the Warranty you must return the faulty product to the place of purchase with a valid receipt or proof of purchase.
- A Warranty claim must be made within 1 year of the date of purchase.
- If your claim complies with the above terms and the product is not an Exhaustible Item and no Voiding Events have occurred, we will (at our sole discretion):
 - repair the product, if possible; or
 - provide a replacement product; or
 - if a replacement product is not available, provide a refund for the purchase price paid.
- You will bear the cost associated with claiming under the Warranty such as the cost of transportation and delivery of the product to and from the place of purchase.
- The Warranty will be void if any of the following events occur, as determined by us, at our sole discretion (Voiding Events):
 - any tampering/removal of warranty/identification labels or electrical components is evident;
 - the defect has arisen due to: an accident, incorrect or inadequate installation, misuse or abuse of the product (including improper maintenance and service), excessive wear and tear, not following manufacturer's guidelines/instructions, or the product has been used in a manner contrary to the purpose or suitability of the product;
 - the product has been modified without our authority;
 - any exposure to direct sunlight.
- Loss of livestock, damage to property or personal injury caused by the improper use or abuse of the product will not be covered and the manufacturer excludes all liability for such events, to the extent permitted by law.

In addition to the Warranty set out above, our goods come with guarantees that cannot be excluded under the Australian Consumer Law. You are entitled to a replacement or refund for a major failure and for compensation for any other reasonably foreseeable loss or damage. You are also entitled to have the goods repaired or replaced if the goods fail to be of acceptable quality and the failure does not amount to a major failure.



ACRYLIC WATERWALLS INSTRUCTION MANUAL



AQUATEC
EQUIPMENT

Congratulations on your purchase of this product by AQUAEDGE, the answers for your watergarden made easy.

MATERIAL	Grey and Clear Acrylic
NOZZLE/LIP SIZES	30mm 125mm
LENGTHS	300mm 600mm 900mm 1200mm 1500mm
HEIGHT	86mm
WIDTH 30mm LIP	70mm (Bottom Entry) 80mm (Back Entry)
WIDTH 125mm LIP	70mm (Bottom Entry Only)
INLET(S)	300mm – 900mm x 1 1200mm – 1500mm x 2
INLET SIZE(S)	Ø32mm Female PVC Socket
RECOMMENDED FLOW RATE	<p>Projecting Waterwall: 6000L/hour per metre at the installed height of the Waterwall.</p> <p>Sheer Decent Waterwall: 3000L/hour per metre at the installed height of the Waterwall.</p>

DESCRIPTION AND FEATURES

Your AQUAEDGE waterwall has been manufactured with advanced technology and made using high quality acrylic material to provide you with many years of satisfaction. AQUAEDGE waterwalls are able to project a sheet of water or a sheer descent sending the water straight down the front of the water wall feature, depending on the force of the water.

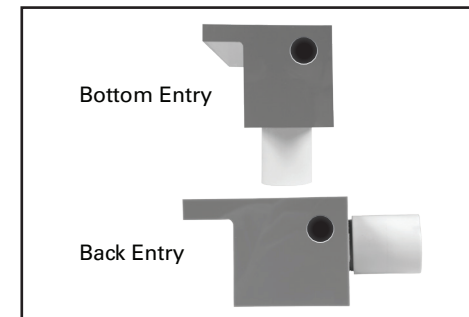
Waterwalls act not just as a decorative element in a water garden or swimming pool, but also aid oxygenation of the water which is essential for all aquatic plants and animals.

AQUAEDGE LED Lightbars installed into our waterwalls add a stunning effect and charm to any water feature at night. Installation is easy through the integrated LED port.

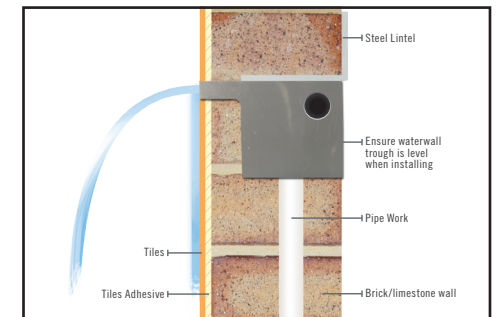
INSTALLATION

- See diagrams below for correct installation.
- Waterwall to be installed level for even water flow.
- Install waterwall lip flush with finished surface of water wall.
- Always install a steel support lintel above the waterwall to support structure above, failure to support waterwall with lintel with void warranty.
- Do not over tighten or apply torque to the PVC fittings.
- Keep AQUAEDGE waterwalls out of direct sunlight at all times, cover exposed surfaces to protect.
- Projecting waterwalls are not recommended for high wind areas.

30mm Lip Waterfall

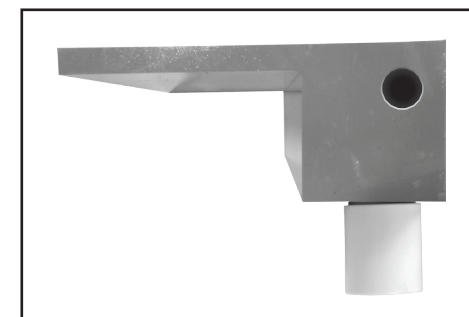


Available in Back or Bottom Entry

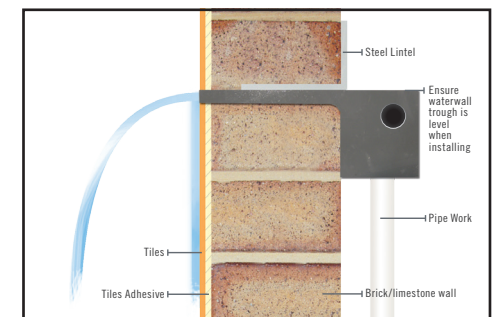


Installation suggestions

125mm Lip Waterfall



Available in Bottom Entry only



Installation suggestions