

LUMATEK
PROFESSIONAL LIGHTING

VF120W LED FIXTURE



This versatile high efficacy fixture will ensure you reach your goals when used in Vertical Farming applications. From propagation factories and nurseries, climate chambers, warehouse farms, containers, between others, the Lumatek VF range will deliver the adequate light quality spectral and photosynthetic photon flux levels you need.

2.4 $\mu\text{mol}/\text{J}$

308 $\mu\text{mol}/\text{s}$ total output

Ideal Spectrum and Light Intensity for low PPF target plants



UK
CA

3 YEAR
WARRANTY

VF120W LED

PRODUCT CODE: LUMLED015

EFFICACY: 2.4 $\mu\text{mol}/\text{J}$

PPF: 308 $\mu\text{mol}/\text{s}$

INPUT VOLTAGE: 220-240V, 50-60HZ

DRIVER: : 650W Driver (Sold Separately), each one can run up to 5 x VF90W Fixtures

INPUT POWER: 124W ($\pm 5\%$)

FOOTPRINT: 1.2x0.6m

APPLICATION: MULTI-LAYER, VERTICAL FARMING, RACKS/SHELVES

WATERPROOF & DUSTPROOF: IP65

LIFETIME (LED BARS): 60 000 HRS

LIGHT DISTRIBUTION: 120°

LIGHT SOURCE: 4000K WHITE HIGH SPEC DIODES;

3000K WARM WHITE HIGH SPEC DIODES

CCT: 3600K

QUANTITY OF LED BARS: 4x30W

QUANTITY OF DIODES TOTAL: WHITE 288; WARM WHITE 192

QUANTITY OF DIODES PER LED BAR: WHITE 72; WARM WHITE 48

DIODES POWER PROPORTION: WHITE 60%; WARM WHITE 40%

DIODES EFFICIENCY: 4000K White High Spec 2.6 $\mu\text{mol}/\text{J}$;

3000K Warm White High Spec Diodes 2.55 $\mu\text{mol}/\text{J}$

DIMMABLE: OFF-25%-50%-75%-100%

with 0-10V Light Dimmer (connected to driver)

EXTERNAL CONTROL: With Lumatek Digital Panel Plus 2.0

or Universal Controller 0-10V (connected to driver)

WEIGHT: 2.1 Kg

DIMENSIONS: 1207 x 521 x 20.5mm

THERMAL MANAGEMENT: PASSIVE COOLING

POWER FACTOR: 0.95

MAX. AMBIENT TEMPERATURE (@ 1000W POWER): 25°C

BTU (WITH DRIVER ATTACHED): 409 BTUs/h

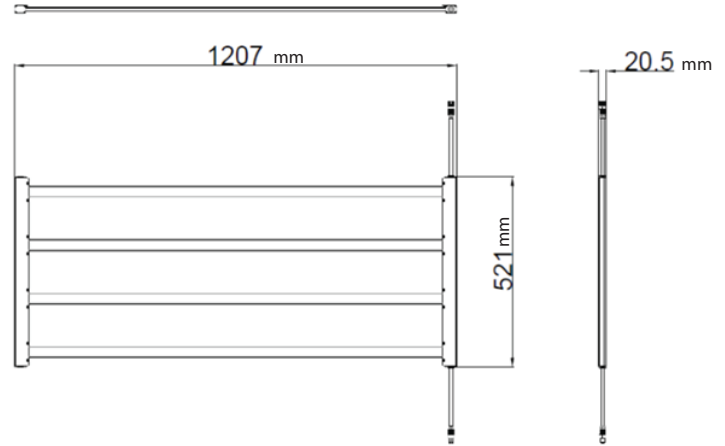
WARRANTY: 3 YEARS

CERTIFICATIONS:

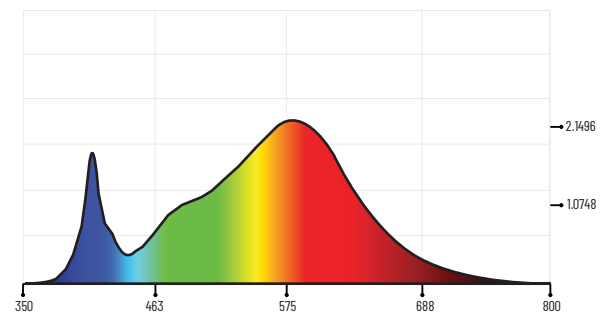
IP65, Rohs Directive 2011/65/EU And (EU)2015/863)

LED Fixture: CE Safety Standard: EN 60598-1:2015+A1:2018, EN 60598-2-1:1989, EN 62031:2020, EN 62493:2015, EN 62471:2008; CE EMC Standard: EN 55015:2019, EN 61547:2009, EN 61000-3-2:2019, EN 61000-3-3:2013+A1:2019

LED Driver: : CE Safety Standard: EN 60598-1:2015+A1:2018, EN 60598-2-1:1989, EN 62031:2020, EN 62493:2015, EN 62471:2008; CE EMC Standard: EN 61347-1:2015, EN 61347-2-13:2014+A1:2017, EN 62493:2015



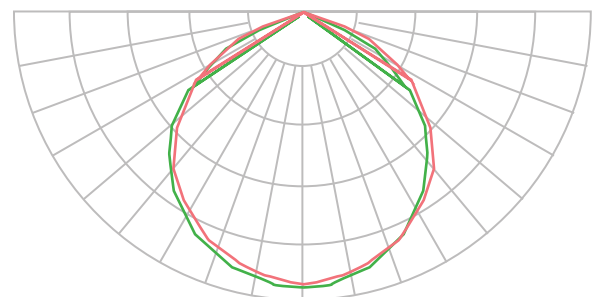
SQD SPECTRUM GRAPH



DISTRIBUTION CURVE FLUX

AVERAGE BEAM ANGLE (50%) : 114.4 DEG

C0/180, 114.9
C90/270, 113.9



INPUT CURRENT (A/W) PER DIMMING RANGE OF 7 VF90W FIXTURES + 650W DRIVER

@ 277V		
DIMMING	INPUT POWER (W)	INPUT CURRENT (A)
100%	678	2,6
75%	509	1,9
50%	339	1,3
25%	170	0,8

@ 240V		
DIMMING	INPUT POWER (W)	INPUT CURRENT (A)
100%	680	2,9
75%	510	2,2
50%	340	1,5
25%	170	0,9

@ 230V		
DIMMING	INPUT POWER (W)	INPUT CURRENT (A)
100%	680	3,1
75%	510	2,3
50%	340	1,6
25%	170	0,9

ITEMS INCLUDED IN THE BOX:

- 1 x VF120W LED Fixture

EXTERNAL CONTROL

The VF Driver can also be externally controlled with a Lumatek digital lighting controller (Digital Panel Plus 2.0) featuring light timing, automated dimming (1% increments), temperature safety control, Sunrise & Sunset Mode for up to 100 drivers per controller



PPFD: PHOTOSYNTHETIC PHOTON FLUX DENSITY ($\mu\text{mol}/\text{m}^2/\text{s}$)

FACTORS THAT CAN INFLUENCE PPFD TESTS

- TEST EQUIPMENT.
- LAMP BEADS DEVIATION
- AMBIENT TEMPERATURE DEVIATION
- PC COVER TRANSMITTANCE DEVIATION
- POWER SOURCE EFFICIENCY DEVIATION
- REFLECTION CONSIDERED OR NOT

RECOMMENDED PPFD ($\mu\text{mol}/\text{m}^2/\text{s}$)

PLANT	SEED	CLONES	VEGETATIVE	FLOWERING
CANNABIS	100-300	75-150	300-550	650+
TOMATOES	150-350	75-150	350-550	650+
CUCUMBERS	100-300	--	300-550	650+
PEPPERS	150-350	--	300-550	650+

VF120W PPFD MAPS

TEST AREA 1.2mx0.6m

TEST POINTS 25

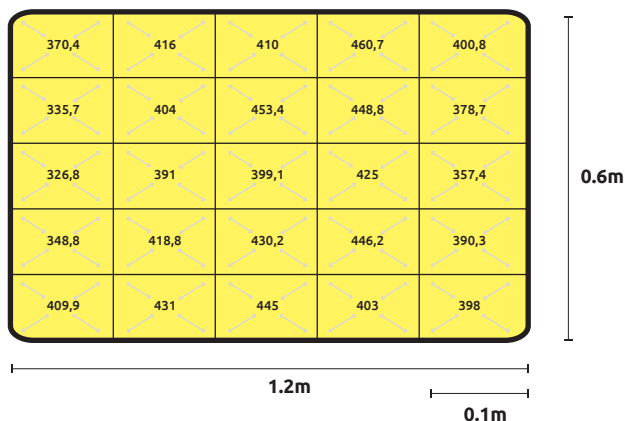
TEST EQUIPMENT INTEGRATING 2 METER SPHERE & LI-COR 180

HEIGHT FROM CANOPY : 10cm, 20cm, 30cm, 50cm

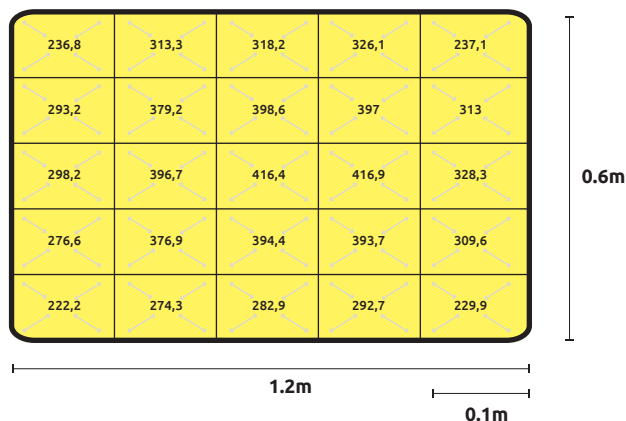
REFLECTION 0%

FIXTURE POWER: 100%

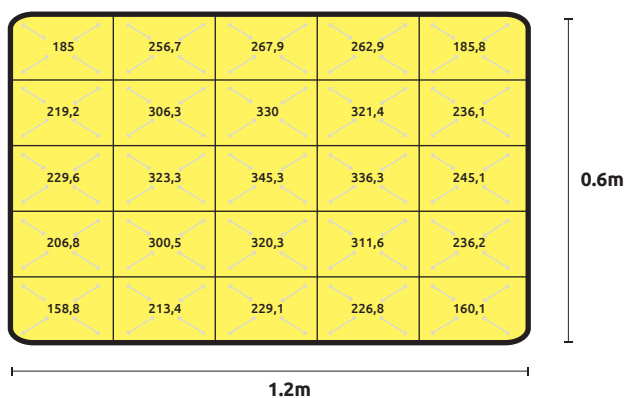
HEIGHT TO TEST POINT **10cm**
 CANOPY AVERAGE PPFD **404.0 $\mu\text{mol/s/m}^2$**



HEIGHT TO TEST POINT **20cm**
 CANOPY AVERAGE PPFD **324.9 $\mu\text{mol/s/m}^2$**



HEIGHT TO TEST POINT **30cm**
 CANOPY AVERAGE PPFD **256.6 $\mu\text{mol/s/m}^2$**



HEIGHT TO TEST POINT **50cm**
 CANOPY AVERAGE PPFD **170.2 $\mu\text{mol/s/m}^2$**

