

SPECIFICATIONS

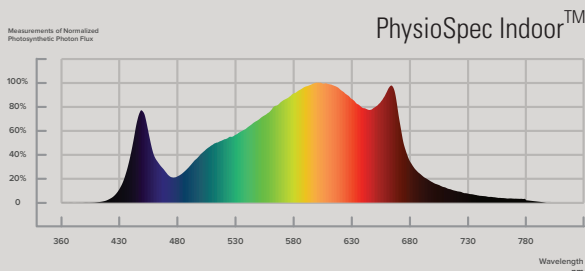
Light Source	LED
Spectrum	PhysioSpec Indoor™
Light Output PPF	1550 µmol/s
Efficacy	2.45 µmol/J @ 230V AC
AC Input Power	632W @ 230V AC
AC Input Voltage	120-277V AC, 347-480V AC, 50/60Hz
Light Distribution	120°
Mounting Height	6" - 12" (15.2-30.5cm) Above Canopy
Thermal Management	Passive
Max. Ambient Temperature	95°F / 35°C
Dimming	10 V-Source
Total Harmonic Distortion (THD)	< 10%
Lifetime	L90: > 50,000hrs
IP Rating	IP66
Certifications	CE, UL 8800, UL 1598 Wet Location, DLC
Warranty	5 Year Standard Warranty

NOMINAL ELECTRICAL AC INPUT*

AC VOLTAGE	120V	208V	230V	277V	347V	400V	480V
AC Current	5.42 A	3.05 A	2.75 A	2.27 A	1.87 A	1.62 A	1.34 A
AC Power	650 W	634 W	632 W	629 W	648 W	647 W	646 W
Power Factor	0.997	0.99	0.989	0.979	0.995	0.99	0.974

* At 77°F (25°C) ambient temperature

SPECTRA



FAMILY	MODEL	SPECTRUM	INPUT VOLTAGE	AC POWER CORD
SR	SPYDR 2p 2p 47"x43"	I PhysioSpec Indoor™	2 120-277V 4 347-480V	06 6ft (1.83m) 15 15ft (4.57m)

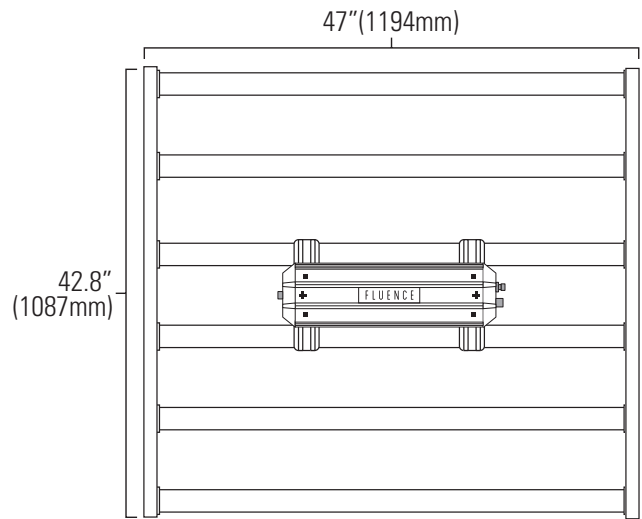
AC PLUG TYPE	DC EXT. CORD	MOUNTING HARDWARE	PACKAGING
TFP Schuko Type F	00 None	W Waterfall Mounts	S Single Pack
VPP VDE Pigtail	03 3 ft (.91m) 06 6 ft (1.83m)	S Solid-Decking Mounts M 2-Point Hanging Lances A Adjustable Hanging Kit L Long V Mounts	B15 Bulk Pack (15 Qty)

*Please contact sales for more mounting options

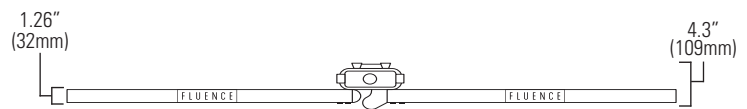
DIMENSIONS

Part	Length	Width	Height	Weight
SPYDR 2p 47" Light Fixture	47" 1194mm	42.80" 1087mm	1.26" 32mm	16.7 lbs 7.6 kg
PSE Power Supply 632W AC	21.87" 555mm	6.24" 159mm	2.88" 73mm	11.0 lbs 5.0 kg

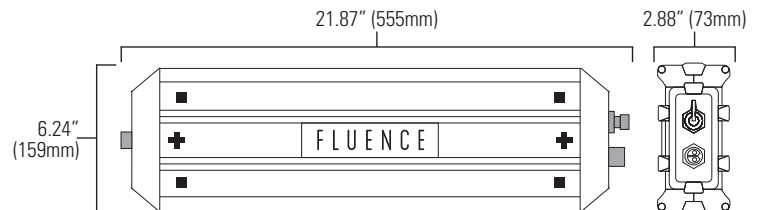
[TOP VIEW]



[SIDE VIEW]



[PSE POWER SUPPLY]



Contact **FLUENCE**

info@fluencebioengineering.com

www.fluence.science/SPYDR

© Copyright 2020 Fluence Bioengineering 2020-02

Subject to change without notice, Tolerance ±10%

Horticultural lighting | Not suitable for household illumination.