



Digi-Lumen 2 X 125 W Side Bars

Digi-Lumen 2 x 125 W Side Bars offer full spectrum white and red LEDs for all phases of growth and flowering. Designed to provide extra lighting to the sides and under canopy of your plants maximising all over plant development.



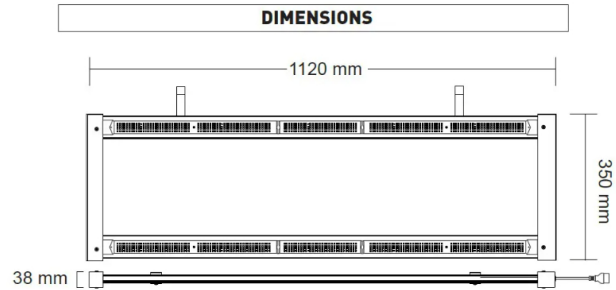
250 W BUILT-IN DRIVER



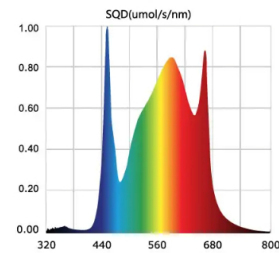
Tech Specs

OUTPUT SPECIFICATIONS	
PPF @ 250 Watts	750 µmol/s
PPF Efficacy	3.0 µmol/J

TECHNICAL SPECIFICATIONS	
Model:	DIGI-LUMEN EXTREME 250 W Side Bars
Light Source:	658 x Single Mount LED
Input Voltage:	220 -240 VAC
Frequency Range:	50-60 Hz
Power/Watts:	250 W
Amps	1.13 A
Net Weight:	2.5 kg
Light Beam Angle:	120 Degrees
Body Case Material:	Frame (Iron) + Heat Sink (Aluminum)
IP Rating:	IP45
Size:	L 1120 mm x W 350 mm x H 38 mm
Lifespan:	↑50,000 Hours
Min. Operating Temp:	-25°C
Max. Operating Temp:	40°C
Warranty:	2 Year Warranty



SPECTRUM DISTRIBUTION CHART



Adjustable Mounting Bar

Adjustable Mounting Bar is suitable for grow tents with either 1.2 or 1.5 m pole spacings. Position the Adjustable Mounting Bar between the vertical tent poles at the desired height and tighten the end clamps. The Side Bar simply hook securely over the Adjustable Mounting Bar and secure via the lock screws.

A rubber clamp insert is provided to ensure the three most popular tent pole sizes (16, 19 & 25 mm) are compatible with the end clamps.



- Use the clamp insert for 16 & 19 mm poles.
- Clamp directly to 25 mm poles.

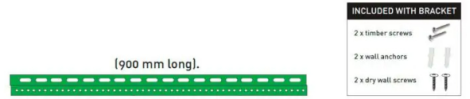


Wall Mounting Bracket

When mounting Side Bars onto either drywall or brick walls we highly recommend using the optional Wall Mounting Bracket.

The wall bracket comes with screws and masonry plugs for installation.

To complete the installation, you may need a 6 mm masonry bit and a hammer drill.



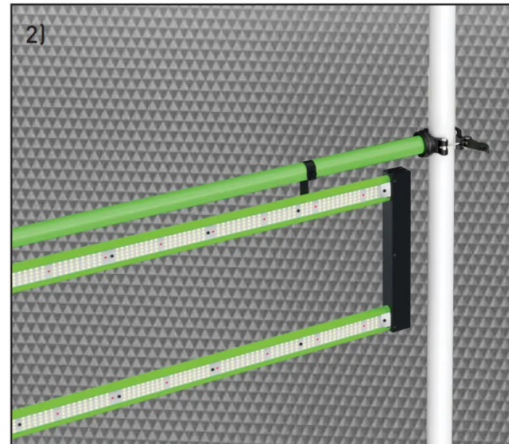
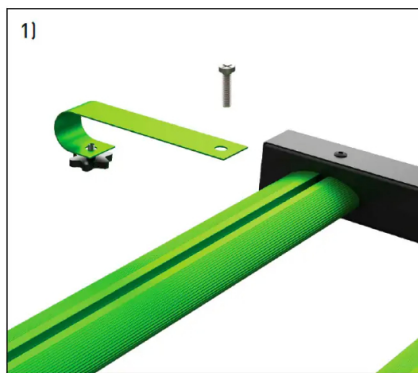
Instructions For Tent Mounting

When mounting Side Bars into a grow tent we recommend using the optional Adjustable Mounting Bar. Adjustable Mounting Bars extend from 1150 mm to 1550 mm.



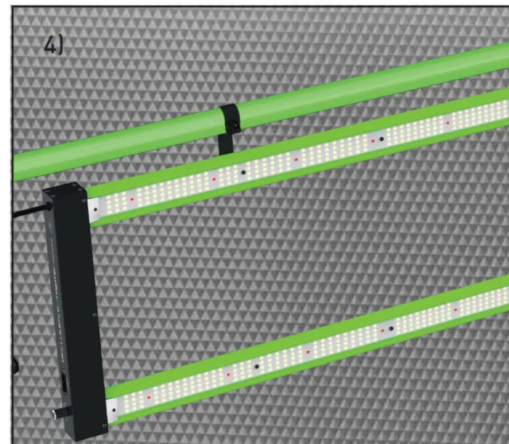
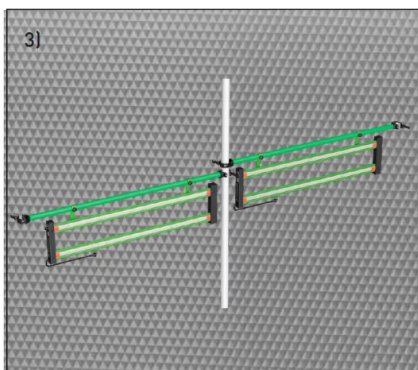
1) Fasten the hooks onto the LED bar using the provided lock screws. Space the hooks approximately 900 mm apart.

2) Clamp the adjustable mounting bar to the upright tent poles. Mounting bars may need to be offset (one above the other).



3) Hook the Side Bar Arrays over the adjustable mounting bars.

4) Tighten the lock screws on the hooks to your preferred light beam angle.

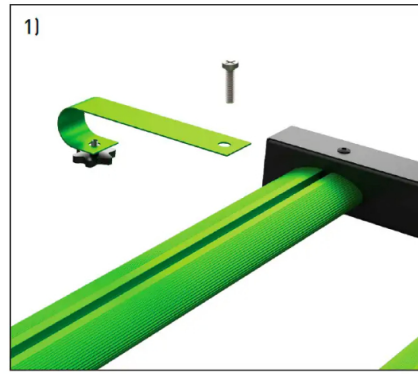


Instructions For Wall Mounting

When mounting Side Bars onto either drywall or brick we recommend using the optional Wall Mounting Bracket (900 mm long).

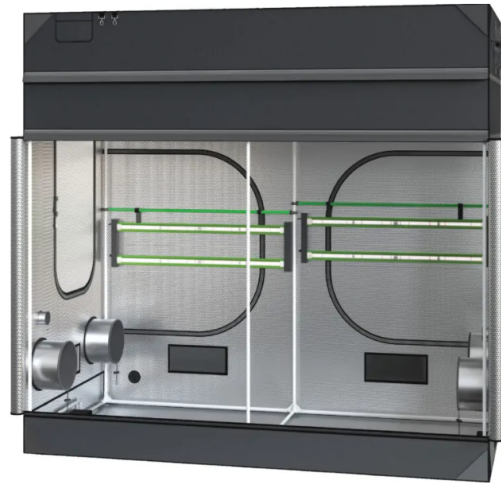
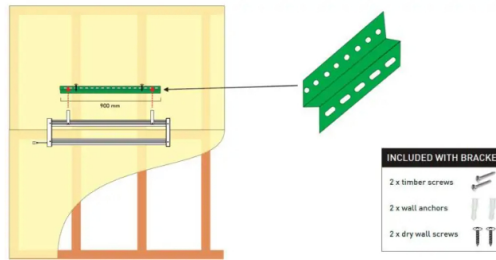


1) Fasten the hooks onto the LED bar using the provided lock screws. Space the hooks approximately 750 mm apart.



2) For drywall, locate the timber studs behind the sheet. Screw the wall mounting bracket into the timber studs using the provided screws at the desired height. For brick or solid plaster use a 6 mm masonry drill bit. Push in the provided wall plugs and fix to the wall with the provided screws.

3) Hang the fixture over the 900 mm long wall mounting bracket.



DIGI-LUMEN

Digi-Lumen LEDs feature a perfect blend of both full-spectrum white and red LED diodes. This results in a perfectly balanced spectrum suitable for all phases of growth and bloom. The result is tight and compact plant growth with optimal morphogenesis & light uptake.

Trade Enquiries

3 Legacy Road Epping VIC 3076
sales@whg.net.au
(03) 9401 3340

