

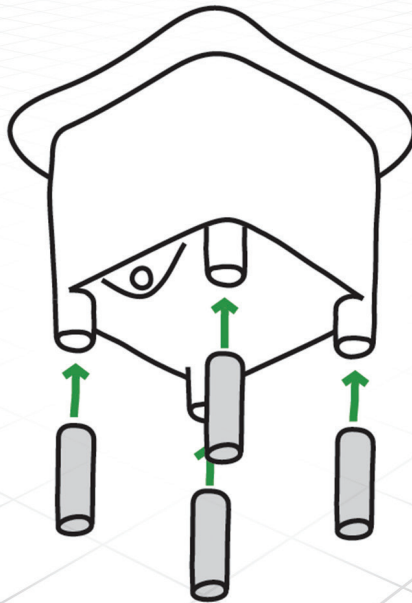
THE Bucket Company

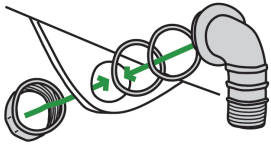
The WEIGHT is over!

INSTRUCTION MANUAL

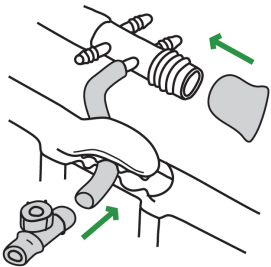
1.2 GALLON AND 3 GALLON

Drainage Assembly
Micro-Valve Assembly
Manifold Assembly

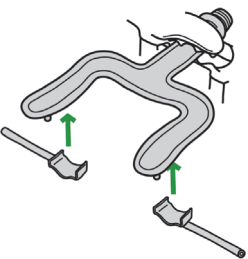




Drainage Assembly: *See page 1*



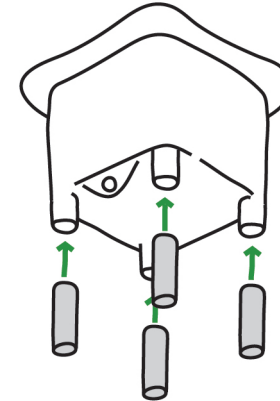
Micro-Valve Assembly: *See page 3*



Manifold Assembly: *See page 5*

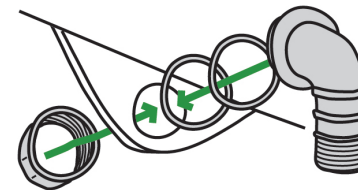
Recommended pump size per kit:
3 Gallon 500 GPH +
1.2 Gallon 600 GPH +

1



Step #1: Insert (4) 1/2" PVC Legs into the bottom ports of the planters.

2



Step #2: Insert the 90° Elbow into the drain port of the planter. Install washers on the outside and screw the nut on the inside until securely tightened.

Note: Please make sure all gaskets are NOT distorted when hand tightened and all other fittings are sealed water tight before moving on to Step #3

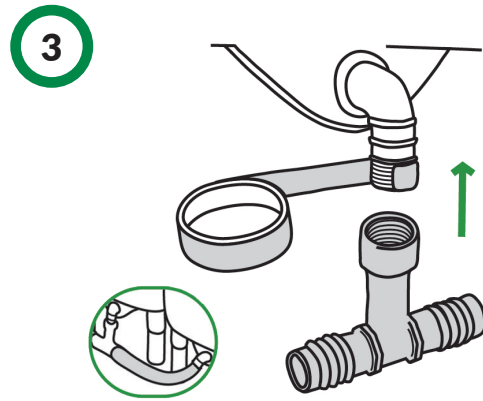
Company Information

www.thebucketcompany.com

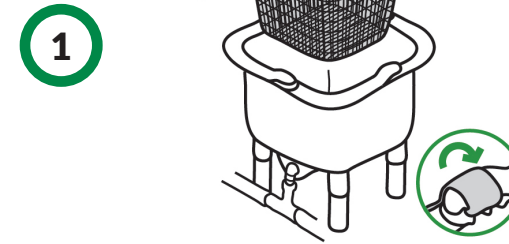
(786) 580- 3990 | sales@thebucketcompany.com

Copyright © 2020 The Bucket Company

Note: Start the Drainage line with the 90° Elbow at a 45° angle towards the next planter in line which will have the Dropdown Tee Fitting to create a downward slope. Start the drainage line from the last Planter in your row with the Elbow fitting at a 45° angle. Aim it towards the next planters in line that will have the dropdown Tee Fitting. Doing so creates a downward slope which helps with the overall draining process!

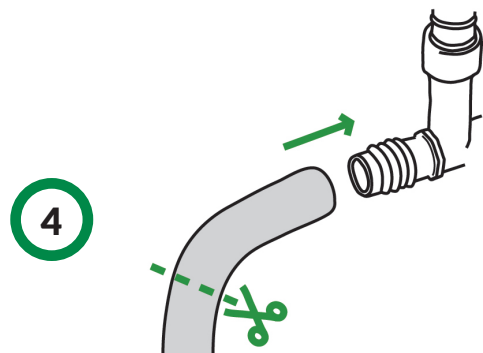


Step #3: Add Teflon Tape to the threads of fittings for a water tight seal before connecting the 1/2" FPT - 3/4" Barb Dropdown Tee to the 90° Elbow which is recommended to assist with drainage.



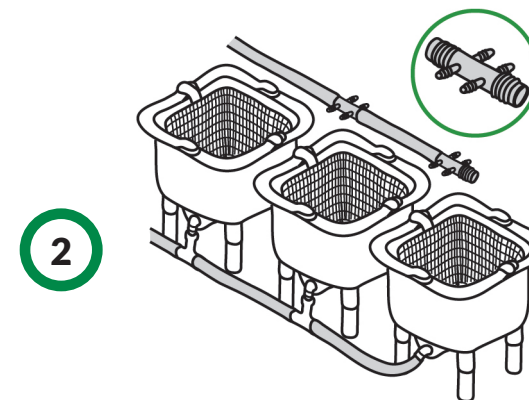
Step #1: Place the Reusable Screen Inserts inside of your planters and slide the handles through the clips of the planter for secure placement.

Note: After completing the Drainage assembly and you've DOUBLE checked the water tight connections are free of leaks, you're now ready to connect the vinyl tubing to the fittings.



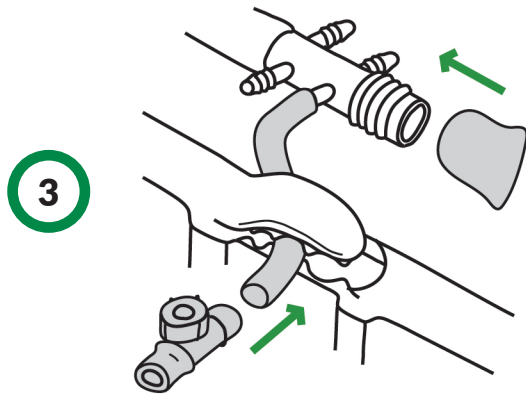
Step #4: Cut the 25FT 3/4" Vinyl Tubing to your desired lengths for planter assembly. Start the connection from the planter with the slanted 90° Elbow and continue towards drain location/ Runoff Pump. Continue to do this until all drainage lines have been connected.

Note: For proper downward drainage, maintain a straight leveled drain line so no water builds up or backflows into your planters.

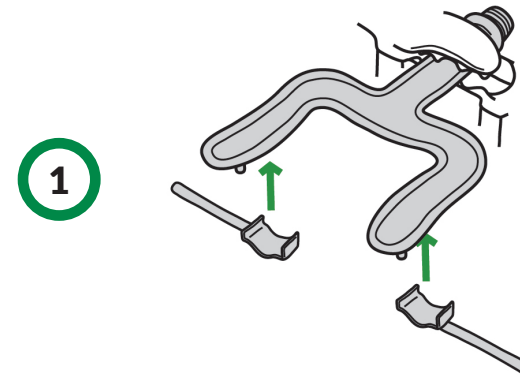


Step #2: Attach Vinyl Tubing to pump and align the 3/4" Vinyl Tubing with the assembled planters starting from your reservoir. After reaching the first planters in line, cut and insert the 6-Way 3/4" - 1/4" Reducing Connector one at a time until reaching the last planter in the row which has the 90° Elbow.

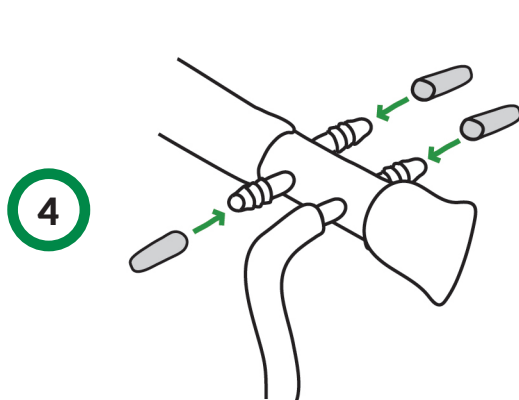
Note: Use the 3/4" End Caps at the end of your feeding lines to ensure no water leaks!



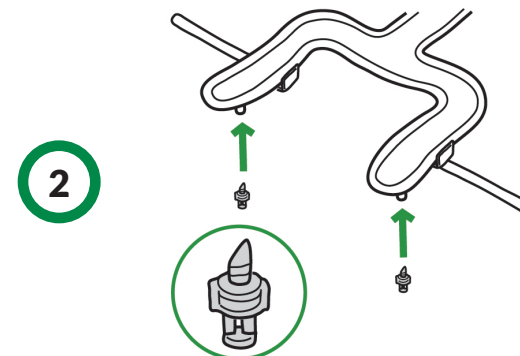
Step #3: To create equal pressure and water flow, make sure all 1/4" micro-hoses are cut to the same length by measuring from the 1/4" port of the 6-Way Reducing Connector to the clips of the planter.



Step #1: Place the Reusable Screen Inserts inside of your planters and slide the handles through the clips of the planter for secure placement.



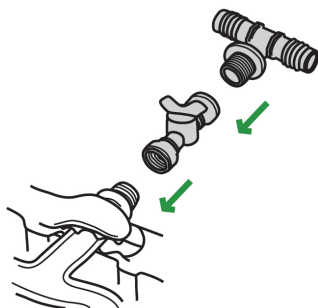
Step #4: Use the 1/4" End Caps to close the 1/4" ports that are not being used for the irrigation lines.



Step #2: Clip and Snap the (2) Irrigation Manifold brackets underneath the Irrigation Manifold and behind the Emitter ports (Part A). Take the stem of the Irrigation Manifold and slide under the clip on top of the Planter across from the drainage port (Part B). Then take brackets and slide through the clips located on the top sides of the planter. (Adjust accordingly).

Note: Manifold brackets can Clip and Snap from the bottom or top of the Irrigation Manifold depending the desired feeding pitch.

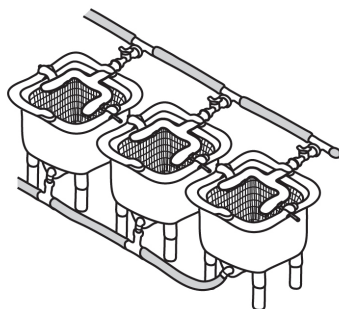
3



Step #3: Twist and insert (2) Emitters into the Emitter ports under the Irrigation manifold until threads are completely inserted.

Note: 180° Green Emitters = 1.2 Gallon / 360° Red Emitters = 3 Gallon

4



Step #4: Hand tighten the 1/2" Double Female Union Valve onto Irrigation Manifold until Valve is securely tightened. Then install 1/2" MPT - 3/4" Barb Tee fitting to the other side of the Union Valve.

Note: Do NOT use pliers to tighten!

Note: Place in warm water for 30 minutes before assembling.

5

Step #5: Attach Vinyl Tubing to pump and align the 3/4" Vinyl Tubing with the assembled planters starting from your reservoir. After reaching the first planters in line, cut and connect the 3/4" Tubing to the 1/2" MPT - 3/4" Barb Tee Fittings. Continue to do this until all irrigation lines have been assembled.

Note: Connect the 3/4" End Cap to the last Barb Tee Fitting in your row to close off water from flowing in that direction.