



Momentum DC

INLINE EXHAUST FAN



A fresh air solution for quiet, continuous air circulation. Energy efficient exhaust featuring 24/7 continuous and timed mould reduction technology for enhanced air quality and a healthier home.

- Energy efficient DC motor for quiet operation
- Selectable 24/7 continuous trickle ventilation, 10 minute run on timer or standard on/off operation
- Install as exhaust to exterior or room to room air transfer
- Ideal for ensuites, powder rooms & laundries
- Maintains fresh and healthy air circulation



AVAILABLE EXTRAS

For MOMDC100

- VAD100** Ø100mm 3m Alum Ducting (or any Ventair 100mm ducting)
- V100FG** Ø100mm external grille
- V100WRIG** Ø100mm Adjustable White Round Interior Vent

For MOMDC150

- VAD150** Ø150mm 6m Alum Ducting (or any Ventair 150mm duct)
- V150FG** Ø150mm external fixed grille
- V150WRIG** Ø150mm Adjustable White Round Interior Vent

For more accessories, visit ventair.com.au

INCLUDES

- 1 x Inline Fan
- 1 x Instruction Manual
- 1 x Warranty card

INSTALLATION

Installation: Electrician required*

Warranty: 3 Years

*Comes with AC plug and lead attached. Electrician required only for use of 24/7 and 10 minute run on timer features.

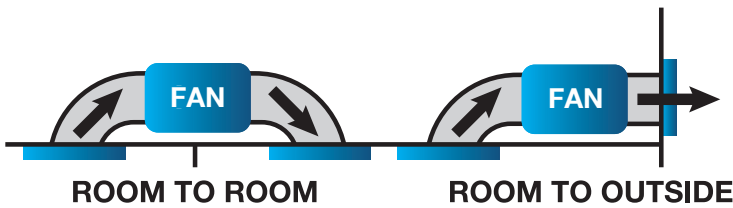
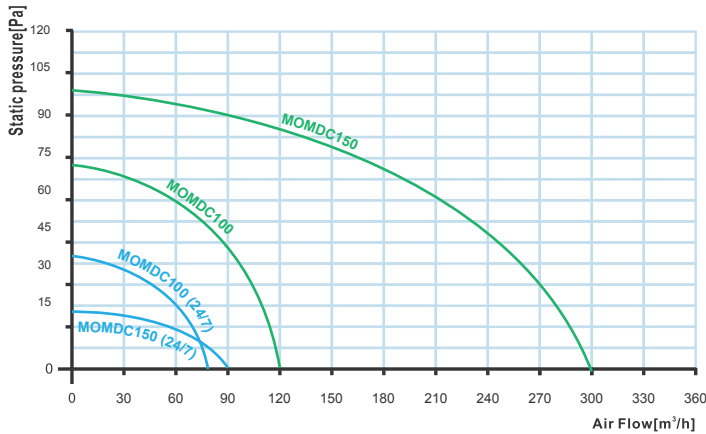


*Ultra efficient 3 in 1 featuring **24/7 continuous and timed mould reduction technology** for a healthier home*

Momentum DC



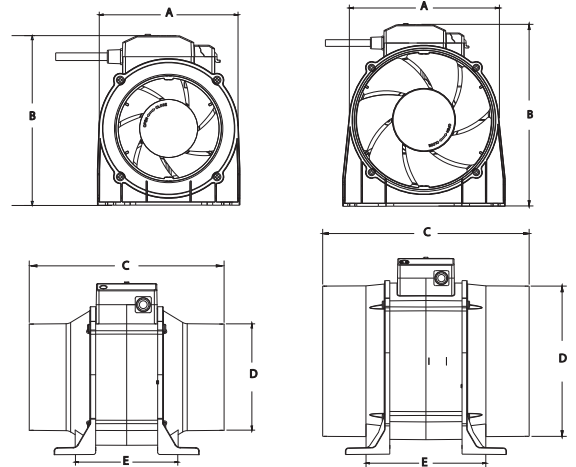
AIRFLOW PRESSURE



DIMENSIONS

MOMDC100

MOMDC150

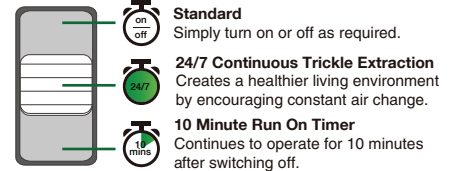


	A	B	C	D	E
100	106mm	154mm	176mm	Ø96mm	106.2mm
150	150mm	189.9mm	200mm	Ø145.6mm	131.2mm

EXHAUST

Model:	MOMDC100		MOMDC150	
Motor Type:	DC		DC	
Rated Voltage:	220-240V~ 50Hz		220-240V~ 50Hz	
IP Rating:	IPX4		IPX4	
Ball Bearing:	Yes		Yes	
Duct Size:	Ø100mm		Ø150mm	
Min. Install Depth:	160mm		192mm	
	24/7	Standard	24/7	Standard
Air Delivery:	80 m³/h	120 m³/h	90 m³/h	300 m³/h
Motor Power:	6 Watts	7 Watts	10 Watts	14 Watts
Noise Level (at 3 metres):	30dB(A)	38dB(A)	26dB(A)	44dB(A)

SELECTABLE SWITCH



SHIPPING

	MOMDC100	MOMDC150
Packaging Size:	186 (L) x 140(W) x 170(H)mm	210 (L) x 180(W) x 207(H)mm
Gross Weight:	0.7kg	1.09kg
Carton Size:	305 (L) x 201(W) x 365(H)mm	385 (L) x 22(W) x 439(H)mm
Carton Weight:	3.59kg	5.25kg
Carton Qty:	4 Pieces	4 Pieces
Pallet Qty:	288 Pieces	240 Pieces

Model	Outer Carton	EAN13 Barcode
MOMDC100	19339310015540	9 339310 015543 >
MOMDC150	19339310015557	9 339310 015550 >



Check out the whole Mould Reduction Tech Family!



4 Capital Place
Carrum Downs, VIC, 3201

T: 03 9775 0556

E: orders@ventair.com.au

www.ventair.com.au |