

TURBO

INLINE MIXED FLOW FANS



up to
1750 m³/h



from
21 W



from
33 dBA



IPX4



FEATURES

Supply and extraction ventilation of offices, bathrooms, toilets, laundries, kitchens, ensuites in apartments, hotels, homes and commercial buildings.

Turbo fans combine the versatility and outstanding performance of both axial and centrifugal fans, producing a powerful air flow and high pressure.

Models **Turbo ... T** have turn-off delay timer adjustable from 2 to 30 min

Ventilation air ducts requiring high pressure, powerful air flow and low noise level.

The casing is made of low flammable polypropylene.

Ventilation unit with terminal box.
Can be turned to any position.

Special design of the casing permits easy dismantling of the impeller and motor block for fan servicing without dismantling the air duct.



Motor

All motors have a sealed ball bearing motor with a service life of up to 40,000 hours, are 2 speed with an exterior two speed switch.

All motors have manual reset thermal overload protection as required for inline duct fans AS/NZS60335-2-80:2004.

100 mm & 125 mm fans cannot be speed controlled.

Wiring

Comes with a 1.2 m lead, 2 pin plug and external two speed switching.

Timer fans come with a 1.2 m lead, 4 pin plug and external two speed switching.

Mounting

Due to the compact design the fan is the ideal solution for mounting in limited spaces, including space behind a false ceiling.

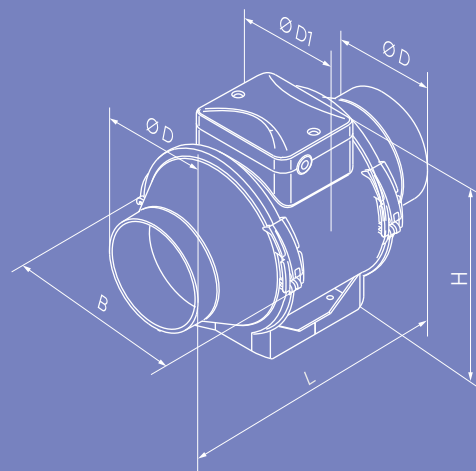
The fan can be installed in any section of the ventilation system from intake to the end of the ductworks.

Turbo Kit

The Turbo fan kit is an all in one extraction system for exhaust ventilation of bathrooms, showers, wet rooms and other utility spaces.

Overall Dimensions

Dimensions [mm]	Ø D	Ø D1	B	H	L	Weight [kg]
Turbo 100	96	164	167	190	246	1.45
Turbo 125	123	164	167	190	246	1.79
Turbo 150	148	187	220	251	289	3.18
Turbo 200	199	209	239	261	295.5	3.8



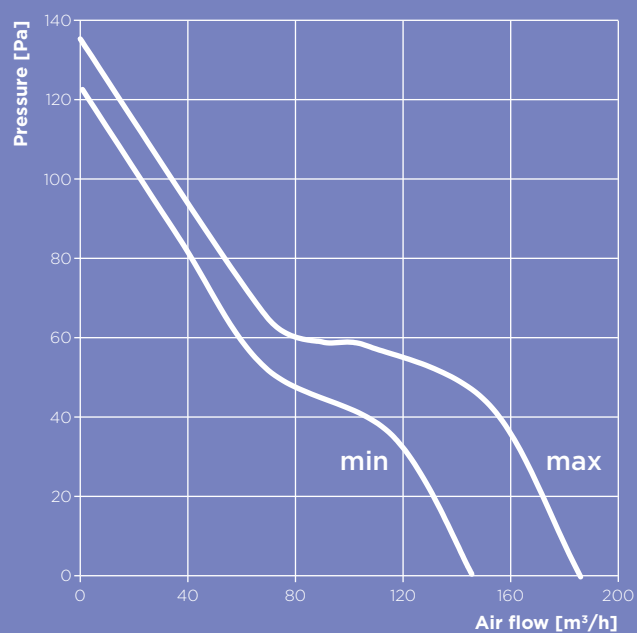
Ordering Information

Part Number	Model	Description
BLATURBO100	Turbo-E 100 USW1	MIXFLO 100 mm 2 SPEED FAN STD
BLABTURBO125	Turbo-E 125 USW1	MIXFLO 125 mm 2 SPEED FAN STD
BLATURBO150	Turbo 150 USW1	MIXFLO 150 mm 2 SPEED FAN STD
BLATURBO200	Turbo 200 USW1	MIXFLO 200 mm 2 SPEED FAN STD
BLATURBO150T	Turbo 150 TUSW1	MIXFLO 150 mm 2 SPEED FAN C/W RUN ON TIMER & 4 PIN PLUG
BLATURBO200T	Turbo 200 TUSW1	MIXFLO 200 mm 2 SPEED FAN C/W RUN ON TIMER & 4 PIN PLUG
BLATURBO125KIT	KIT Turbo 125-2	INLINE MIXFLO FAN 125 mm KIT
BLATURBO150KIT	KIT Turbo 150-3	INLINE MIXFLO FAN 150 mm KIT

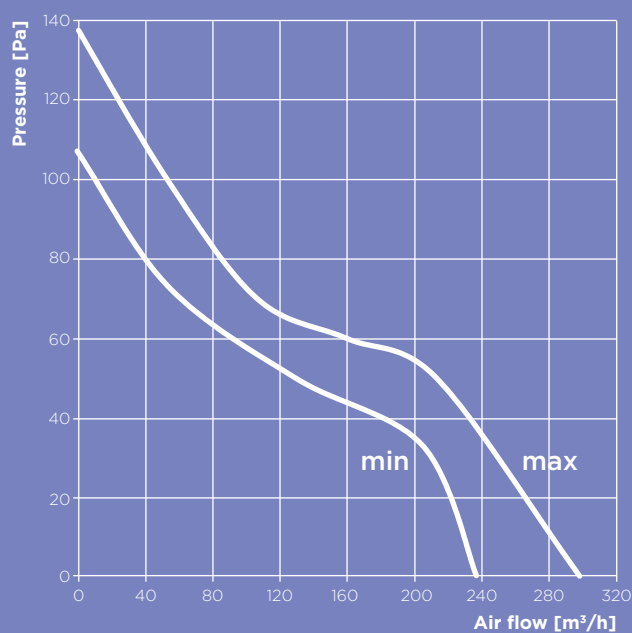
Technical Data

Parameters	Turbo 100		Turbo 125	
Speed	min	max	min	max
Voltage [V]	1 - 230	1 - 230	1 - 230	1 - 230
Frequency [Hz]	50/60	50/60	50/60	50/60
Power [W]	21	33	23	37
Current [A]	0.11	0.21	0.18	0.27
Maximum air flow [m ³ /h (l/s)]	145 (40)	187 (52)	220 (61)	280 (78)
RPM [min ⁻¹]	2180	2385	1950	2455
Sound pressure level at 3 m [dBA]	32	36	34	39
SEC class	C		B	

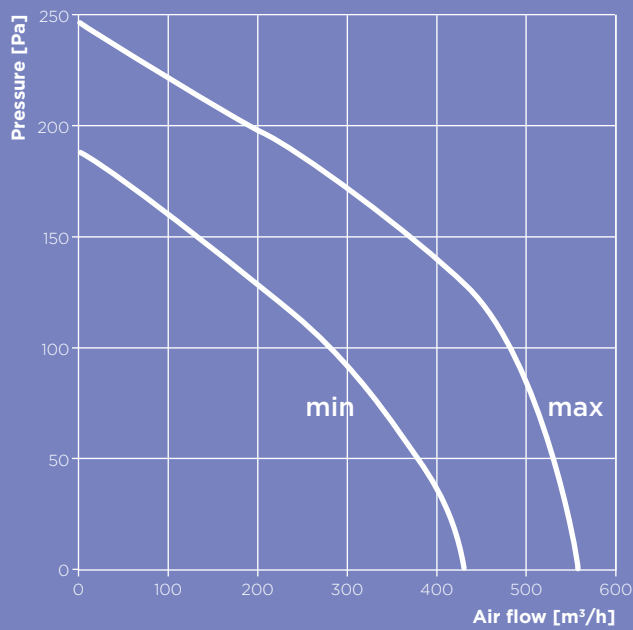
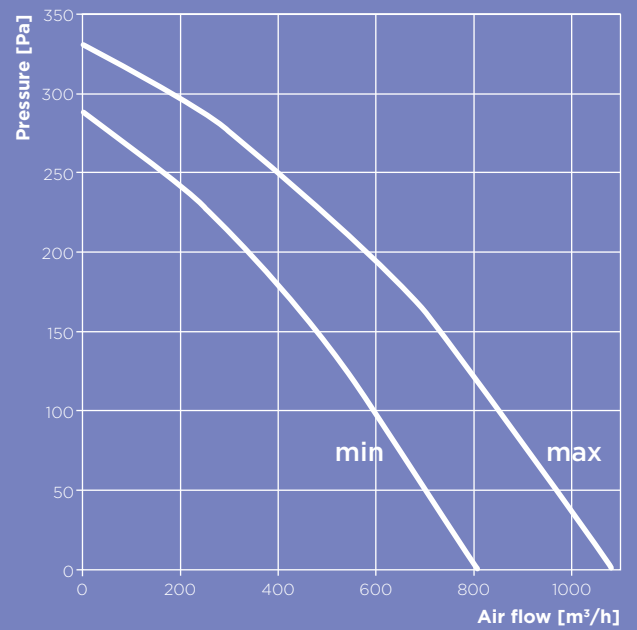
TURBO 100



TURBO 125



Parameters	Turbo 150		Turbo 200	
Speed	min	max	min	max
Voltage [V]	1 - 230	1 - 230	1 - 230	1 - 230
Frequency [Hz]	50/60	50/60	50/60	50/60
Power [W]	42	50	76	108
Current [A]	0.19	0.22	0.34	0.48
Maximum air flow [m³/h (l/s)]	430 (119)	560 (156)	805 (224)	1080 (300)
RPM [min⁻¹]	1940	2620	1915	2380
Sound pressure level at 3 m [dBA]	37	41	41	46
SEC class	B		B	

TURBO 150

TURBO 200


ISO-MIX

SOUND INSULATED INLINE MIXED FLOW FANS



up to
1920 m³/h



from
45 W



from
38 dBA



IPX4



FEATURES

Supply and extract ventilation systems installed in various premises requiring low noise level.

For ventilation air ducts requiring high pressure, powerful air flow and low noise level.

The casing is made of polymer coated steel, internally filled with 50 mm mineral wool thermal- and sound-insulating layer.

Special inner perforation of the casing and sound insulating material are designed for wide frequency sound absorbing.

Design

Mixed flow impeller made of high quality plastic.

The diffuser, the specially profiled impeller and directing vanes provide high performance and powerful pressure combined with low noise operation.

External airtight terminal block on the fan casing for power supply.

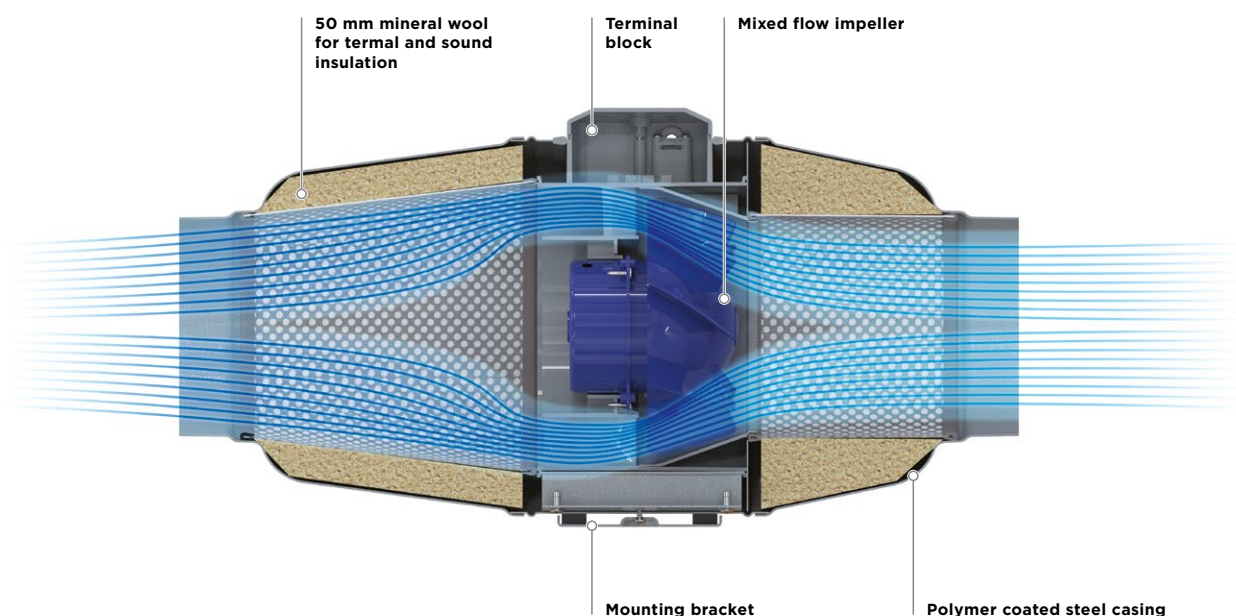
Mounting brackets on the fan casing for mounting to the floor, to the wall or ceiling

Motor

220-240 V single phase at 50 Hz.

All motors have a sealed ball bearing motor with a service life of up to 40 000 hours, are 2 speed with an exterior two speed switch and can be fitted with a speed controller.

All motors have manual reset thermal overload protection as required for inline duct fans AS/NZS60335-2-80:2004.



Mounting

Due to its compact design the fan is the ideal solution for mounting in limited spaces.

The fan is suitable for mounting in any section of the ventilation system from intake to the end of the ductwork.

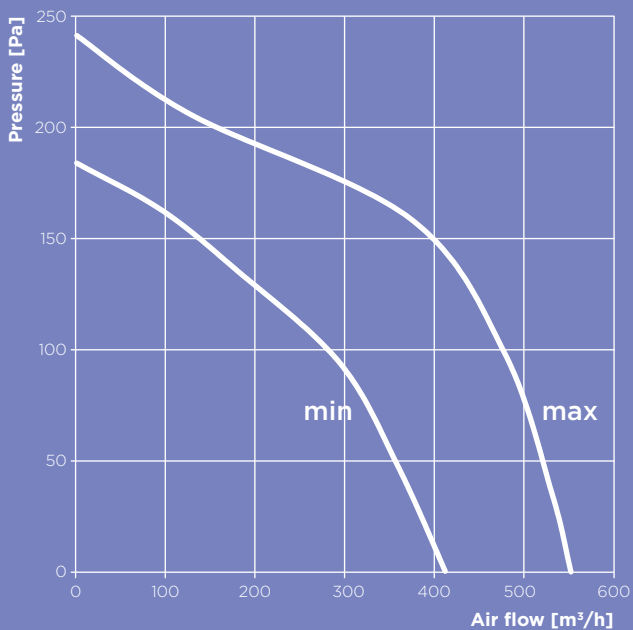
Ordering Information

Part Number	Model	Description
BLATURBO150MIX	Iso-Mix 150 USW1	MIXFLO 150 mm 2 SPEED FAN - SILENT SERIES
BLATURBO200MIX	Iso-Mix 200 USW1	MIXFLO 200 mm 2 SPEED FAN - SILENT SERIES

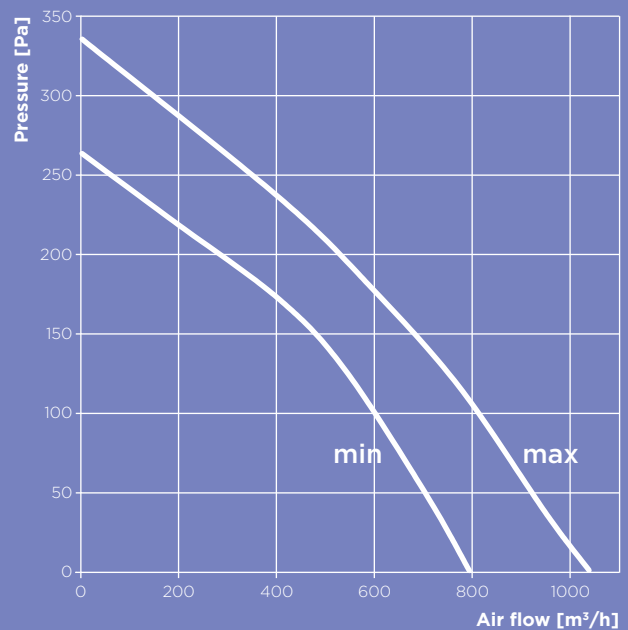
Technical Data

Parameters	Iso-Mix 150		Iso-Mix 200	
Speed	min	max	min	max
Voltage [V]	1 - 230		1 - 230	
Frequency [Hz]	50/60		50/60	
Power [W]	45	52	78	110
Current [A]	0.20	0.23	0.35	0.49
Maximum air flow [m ³ /h (l/s)]	410 (114)	550 (153)	790 (219)	1035 (288)
RPM [min ⁻¹]	1985	2640	2000	2460
Sound pressure at 3 m [dBA]	32	38	39	41
SEC class	C		C	

ISO-MIX 150

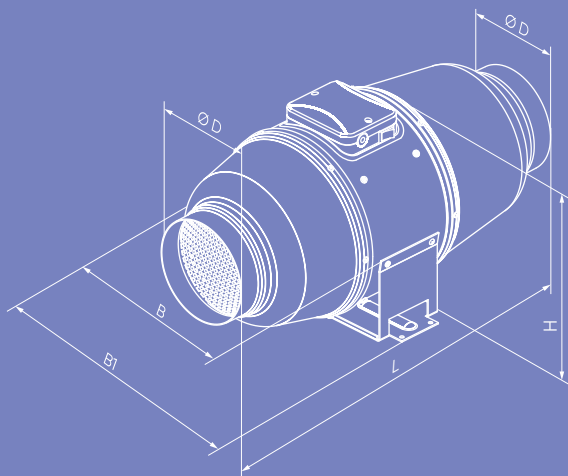


ISO-MIX 200

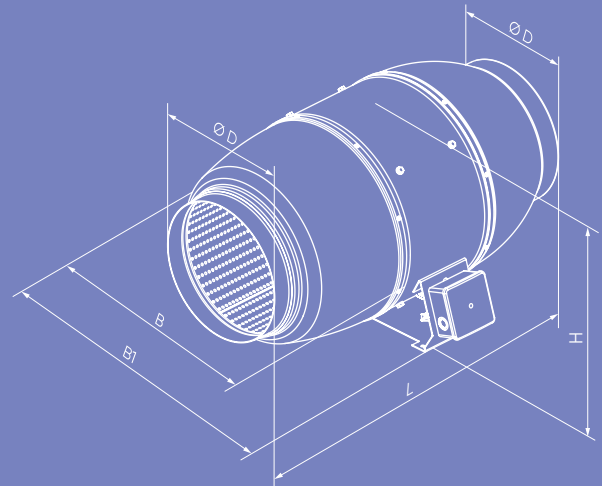


Overall Dimensions

Dimensions [mm]	Ø D	B	B1	L	H	Weight [kg]
Iso-Mix 150	148	247	273	579	263	6.1
Iso-Mix 200	198	293	386	550	295	8



Iso-Mix 150



Iso-Mix 200