

# AS-1

## CO2 Alarm Station Set

The AS-1 CO2 Alarm Station Set consists of the DSD-1 Dry contact station and the AS-5 audible-visual alarm. The AS-1 alarm set can be mounted inside or outside grow-rooms or grow facilities. It will sound both audible and visible alarms in the event where CO2 level goes above normal or safe levels.

When paired with the CBA-1, the AS-5 can be linked to either AL-1 or AL-2 CO2 sensors channel, or it can be linked to both sensors for complete redundancy.



## Specifications

### AS-1

#### Alarm Input

Connector	DC 5.5*2.1 Male
Rated Voltage	DC12V/24V
Rated Current	60mA

#### Alarm Product Dimensions

Size	3.23"/82mm (L) x 3.23"/82mm (W) x 2"/51mm (H)
Product Weight	3.00oz / 85g

#### Strobe

Color	Red
Flash Frequency	120 FPM

#### Dry Contact Station Input

Connector	12V 0.2A
Input Voltage	100~240 VAC, 50/60Hz
Contact Output	30VDC/250VAC,6A

#### Dry Contact Station Product Dimensions

Size	3.37"/85mm (L) x 3.15"/80mm (W) x 3.54"/90mm (H)
Product Weight	12.00oz / 340g

#### Package Dimensions

Size	6.3"/160mm (L) x 3.37"/85mm (W) x 3.54"/90mm (H)
Gross Weight	1.13lbs/0.51kg

#### Package Content

DSD-1 Dry contact station	1 pc
AS-5 Alarm	1 pc
16ft RJ12 Cable	1pcs
4ft RJ12 Cable	1 pcs
RJ12 T-Splitter	1pcs

#### Siren

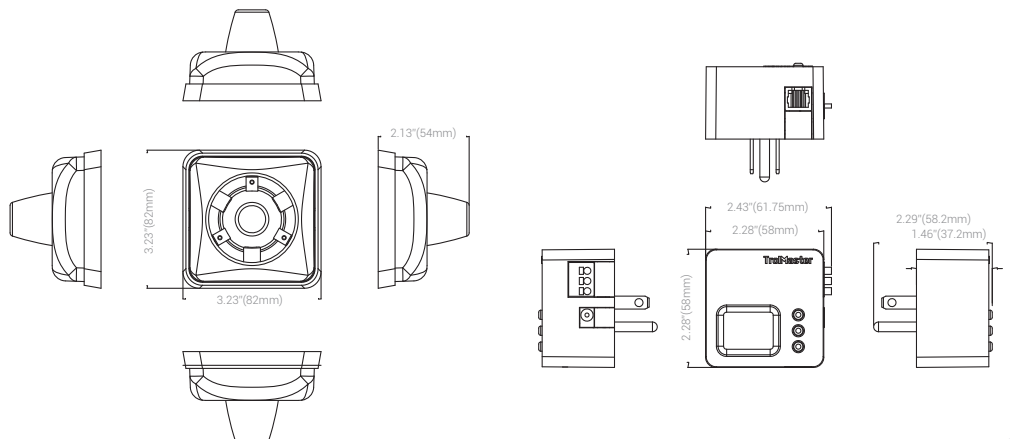
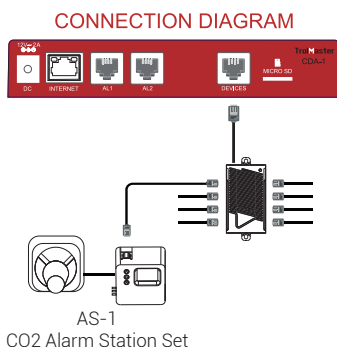
Sound Pressure Level	85dB
----------------------	------

#### Working Environments

Temperature	32-122°F (0-50°C)
Humidity	≤90%

## Link Up

### AS-1



RoHS