

4RS-2

Device Station Kit

The 4RS-2 is a universal 4-outlet device module kit that can be directly connected to the Tent-X controller through RJ12 cables. It takes up 4 device modules from the controller and comes with 4 outputs that are defaulted from left to right, including DSTx1, DSHx1, and DSPx2. The power cable is directly connected to the socket, making installation quick and easy. With a total amperage of 15A, users can power multiple devices at once, each output capable of providing up to 15A.



Specifications

4RS-2

Input Voltage

Input Voltage 120VAC, 60Hz

Max Output Voltage

Max Output Voltage 100~240VAC, 50/60Hz

Max Output Current

Max Output Current 15A

Max Input Current

Max Input Current 15A

Package Dimensions

Size 10.83" /275mm(L) x
6.89" /175mm(W) x
3.94" /100mm(H)

Working Environments

Temperature 32-104°F (0-40°C)

Humidity ≤90%

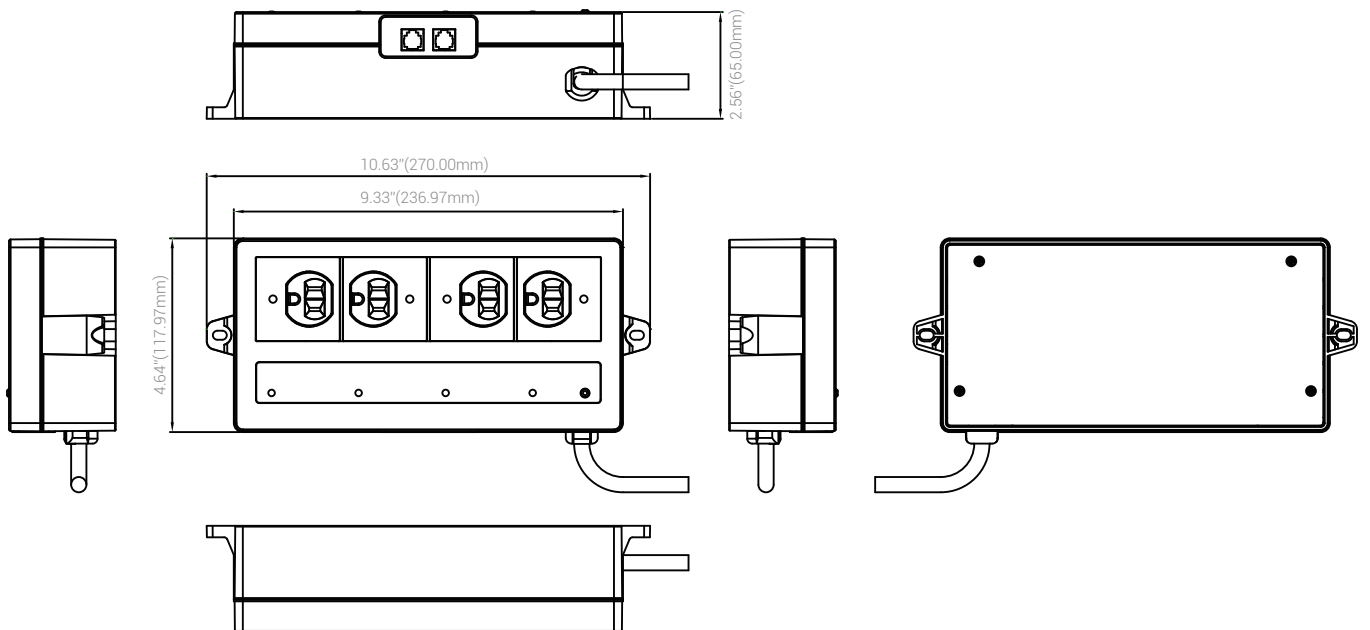
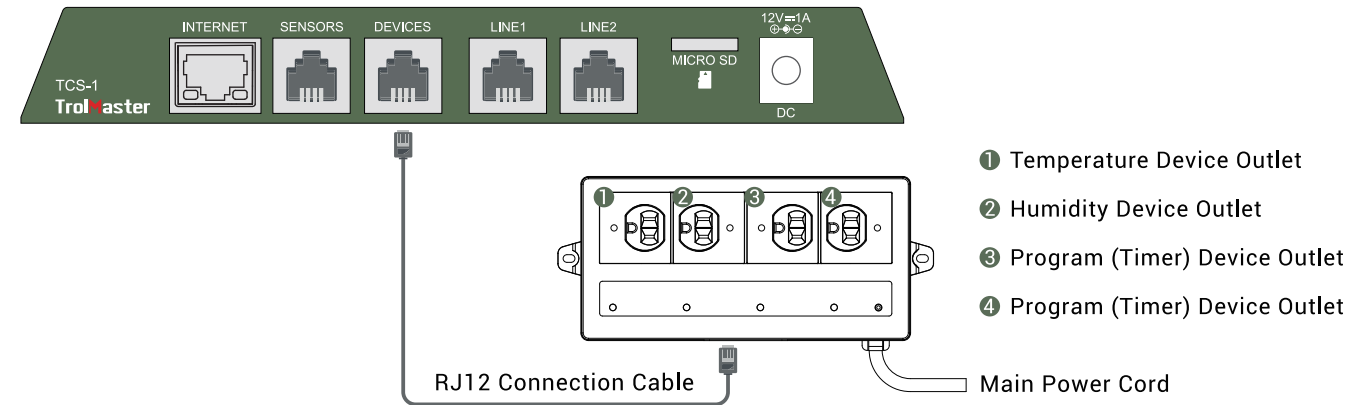
Package Content

Device Station Kit 1pc

Link Up

4RS-2

CONNECTION DIAGRAM



RoHS