



TS-1 Cut Sheet



Features

- No Extra Power Needed
- LCD Display, Easy Operation
- Micro-SD slot for Firmware Upgrades
- Seamless Connectivity with Hydro-X
- Replace Thermostat to Control Commercial AC Units

Overview

The TS-1 thermostat station is designed to replace a thermostat connected to a conventional cool only HVAC unit. The TS-1 is wired to the HVAC system using the same low-voltage thermostat cable, and has the standard color-coded wiring as most thermostats. The Hydro-x allows separate Day and Night settings for each of up to (4) TS modules so multiple HVAC systems can be controlled by a single Hydro-X system.

M Product Specifications

Dimensional Diagram

Package Content

- 1 x Thermostat Station (TS-1)
- 1 x 16ft RJ12 Cable
- 1 x 4ft RJ12 Cable
- 1 x RJ12 T-Splitter

Certifications

ETL/FCC

Degree of Ingress Protection

IP20

Input Voltage

12V

Maximum Current

0.1A

Working Environment

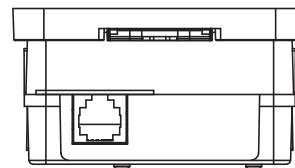
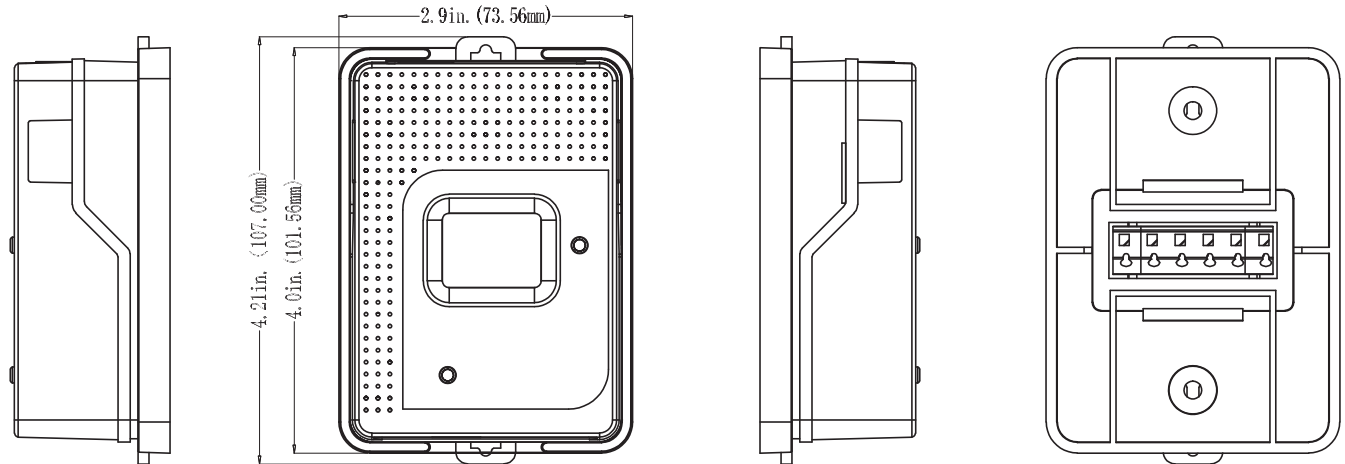
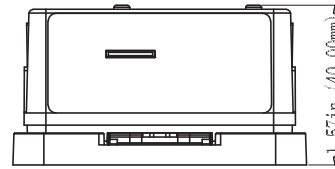
Temperature 32-122°F, Humidity<90%

Packaging Dimensions

160mm(L) x 86mm(W) x 86mm(H)

G.W. per pack

0.40kgs



Tech Support
Phone : 877-420-9876
Email : support@trolmaster.com

