



AQUASURGE® POND PUMP

**AquaSurge® 2000
Pond Pump**
Item #91017

**AquaSurge® 3000
Pond Pump**
Item #91018

**AquaSurge® 4000
Pond Pump**
Item #91019

**AquaSurge® 5000
Pond Pump**
Item #91020





AquaSurge® Pond Pump

Thank you for choosing the Aquascape AquaSurge® Pond Pump. At Aquascape, we connect people to water the way nature intended. Since 1991, we've been creating and field-testing water features in order to provide you with the most reliable products and best value in the water gardening industry.

Aquascape AquaSurge Pond Pumps are ideal for use in ponds, Pondless® Waterfalls, and other water feature applications. AquaSurge asynchronous pumps are designed for use in skimmer and waterfall-filter systems. Extremely energy efficient, AquaSurge pumps are made for continuous use in either horizontal or vertical orientation.



TABLE OF CONTENTS

Introduction	2
Contents	3
Safety Information	3
Specifications Chart	4
Installation	4
General Maintenance	6
Winter Application	7
Troubleshooting	7
Replacement Parts	7
Warranty Information	8

Contact Us

For more information about our company or products, please visit our website at aquascapeinc.com or call US (866) 877-6637 CAN (866) 766-3426.

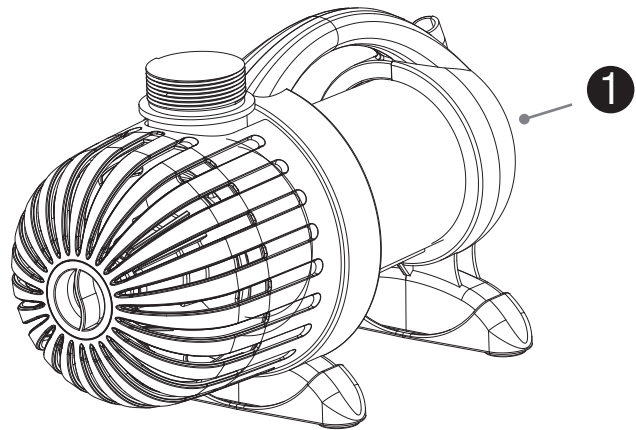
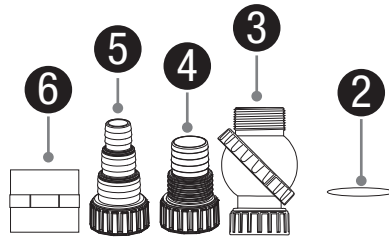
Find us on:



facebook.com/aquascapeinc
youtube.com/aquascape4
pinterest.com/aquascapeinc
instagram.com/aquascape_inc/

Contents

No.	Description
1.	AquaSurge® Pond Pump
2.	Flat Rubber Gasket
3.	1.5" Rotational Ball Output
4.	1.5", 2" Multi Hose Adapter
5.	1", 1.25", 1.5" Multi Hose Adapter
6.	1.5" Female Adapter



Safety Information



WARNING: Risk of electric shock – This pump has not been approved for use in swimming pool or marine areas



WARNING: To provide continued protection against risk of electric shock, connect to properly grounded, ground fault circuit interrupter (GFCI) outlets only, using the following guidelines:

- (A) Have a qualified electrician install a properly grounded receptacle outlet, acceptable for outdoor use and protected from snow and rain.
- (B) Inspect cord before using.
- (C) Do not use extension cords.
- (D) Any wiring of pumps should be performed by a qualified electrician to ensure code compliance and user safety.

- (E) Unplug pump at receptacle outlet when not in use or before removal from pond.
- (F) To reduce risk of electrical shock, all wiring and junction connections should be made per local codes. Requirements may vary depending on usage and location.
- (G) The power cable should be protected at all times to avoid punctures, cuts, bruises and abrasions.
- (H) Never handle power cords with wet hands.
- (I) Do not remove cord and strain relief. Do not connect conduit to pump.
- (J) Do not use power cord and strain relief to lift pump.



- Always operate the pump fully submerged; or if using in-line, ensure a constant source of fresh water. Failure to do so may overheat the pump and cause it to fail, voiding the warranty.
- Use only in fully assembled state, paying particular attention to ensure that both the outer and inner filter screens are attached to the pump. Failure to operate the pump without the filter screen will allow large debris to enter the pump and cause the pump to fail, voiding the warranty.
- Do not wear loose clothing that may become entangled in the impeller or other moving parts.
- Keep clear of suction and discharge openings. DO NOT insert fingers into pump with power connected.
- Do not pump hazardous materials or liquids, such as oil, saltwater or organic solvents.
- Do not block or restrict discharge.
- Products returned must be cleaned, sanitized, or decontaminated, as necessary, prior to shipment to ensure that employees will not be exposed to health hazards in handling said material. All applicable laws and regulations shall apply.

- The AquaSurge Pond Pump is a thermally protected, submersible pump for outdoor or indoor use and has been evaluated for use with water only.



IMPORTANT: *Aquascape, Inc. is not responsible for losses, injury, or death resulting from a failure to observe these safety precautions, misuse or abuse of pumps or equipment.*

AquaSurge Pond Pump Specifications

- Input Voltage: 120V AC
- Input Frequency: 60 Hz
- Submersible pump
- For outdoor or indoor use
- Thermally protected
- This pump has been evaluated for use with water only
- Input amps & wattage: see chart below

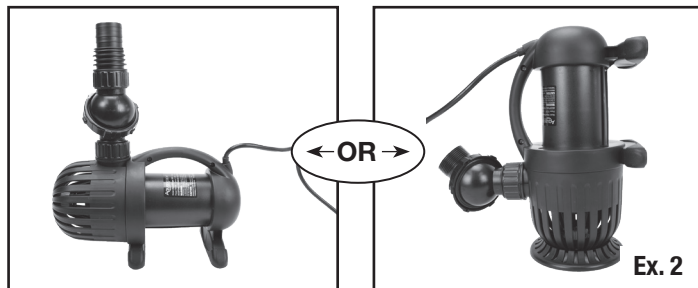
AquaSurge Pond Pump Specs				
Model Number	2000	3000	4000	5000
Maximum Flow Rate (GPH)	2,193	3,196	3,947	5,284
Maximum Head Height	12.5'	15'	18.5'	24'
Motor Type	Asynchronous	Asynchronous	Asynchronous	Asynchronous
Wattage	160	165	215	360
Amperage	1.3	1.4	1.82	3
Power Cord Length	20'	20'	20'	20'
Pump Discharge Diameter	1.5" MPT	1.5" MPT	1.5" MPT	1.5" MPT
Ideal Pipe Diameter	1.5" - 2"	1.5" - 2"	1.5" - 2"	2"
Pump Dimensions	12"L x 5.5"W x 7"H	12"L x 5.5"W x 7"H	14"L x 6"W x 7.5"H	14"L x 6"W x 7.5"H

Installation

- Do not submerge the AquaSurge pump directly into the pond. The AquaSurge pump is designed to be placed inside a skimmer, Pondless® Waterfall Vault, sump or basin. Please consider Aquascape AquaForce® solids-handling pumps (Ex. 1) if your application does not have a filter and requires a pump that can be placed directly into the pond.

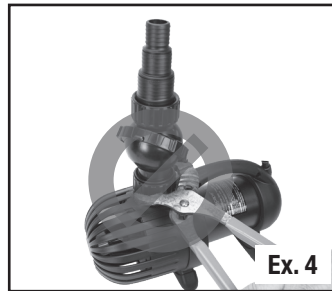
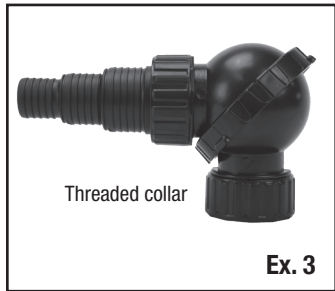


- The AquaSurge pump is designed to be installed horizontally on the rubber feet. The pump can also be mounted vertically, if needed, by attaching the filter stand ring on the outer filter screen, included with your pump (Ex. 2).

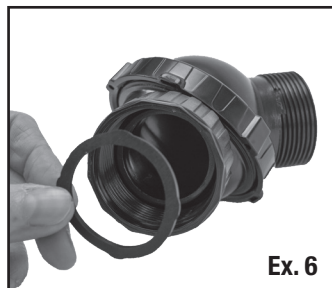


- The AquaSurge includes a wide assortment of fittings to choose from. Select the appropriate fitting or fittings needed for your application.
- The threaded collar (Ex. 3) on all of the fittings enables the AquaSurge pump to be installed and removed without the need for any tools.

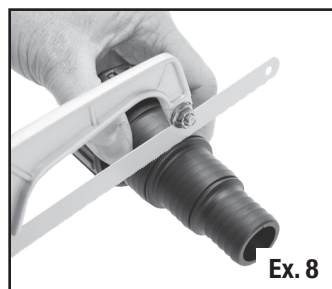
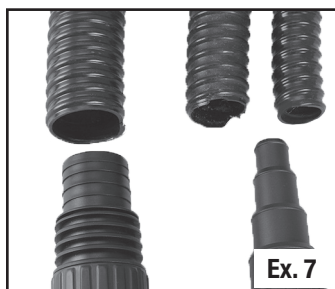
NOTE: Do not use tools to install the fittings into the pump discharge (Ex. 4). Fittings need to be only hand tight.



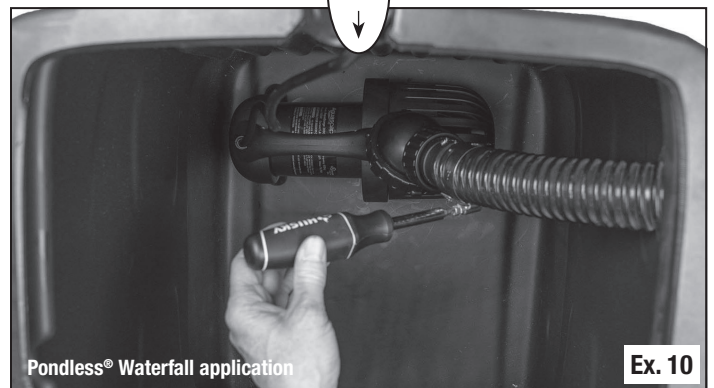
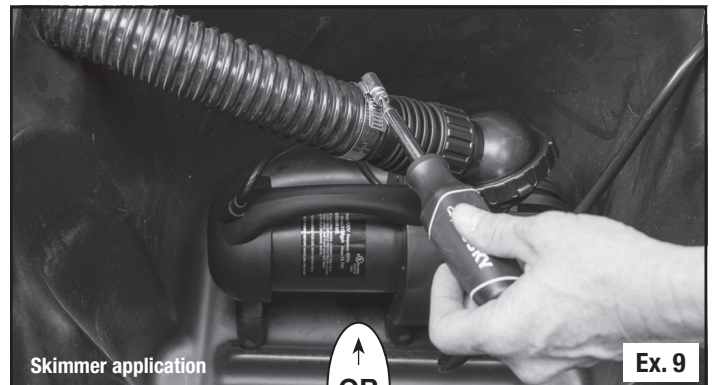
- The extremely versatile rotational ball outlet (Ex. 5) provides you the ability to adjust the pump discharge to the perfect position your water feature setup requires. Tightening the threaded collar (Ex. 5) allows you to rotate the upper half of the ball. A flat rubber washer seal (Ex. 6) is included to ensure a hand-tight and leak-free connection. Make sure this flat rubber washer is in place before installing the fittings.



- Install the right-sized multi-hose adapter based on the diameter of the pipe you are using (Ex. 7).
- If using pipe with a larger diameter than the smaller fittings of the multi-hose adapter, cut off the smaller section to avoid any flow restriction (Ex. 8).



- Lower the pump into the skimmer (Ex. 9) or Pondless® Waterfall Vault (Ex. 10) and rotate the rotational ball output to line up with the tubing. Attach tubing to the fitting and then tighten a hose clamp (not included) to secure tubing onto the fitting.

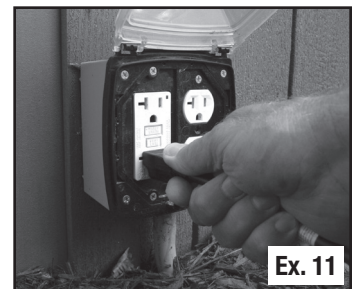


↑
OR
↓

- Plug the pump into an external GFI-rated electrical source (Ex. 11).

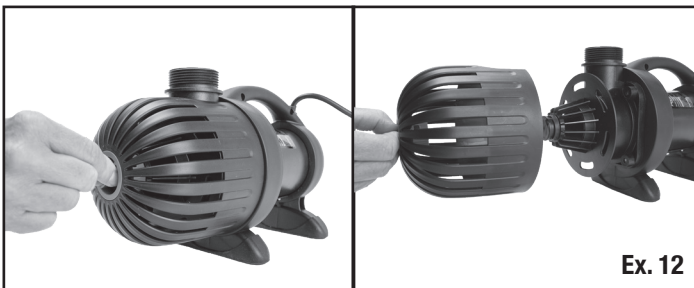
IN-LINE OPERATION

- The AquaSurge pump can also be operated in-line by attaching a pipe connected directly from the pond (or aquarium) to the male-threaded pump inlet. In this case the water must be pre-filtered of debris in order to prevent any damage to the pump or impeller. The pump must NEVER be operated dry without water. This pump is water-cooled and requires water flowing through the pump at all times for the pump to operate correctly and stay cooled so it doesn't overheat.



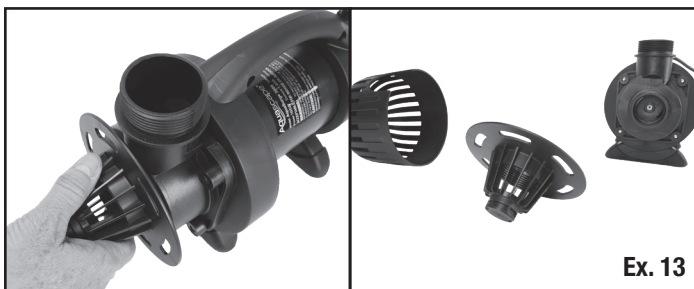
General Maintenance

- Filter Screens - Operating the pump without the filter screen will allow large debris to enter the pump, causing the pump to fail and voiding the warranty.
- Filter Screen Cleaning - We recommend inspecting your AquaSurge on a regular basis to make sure it is functioning properly. If you notice the water flow rate diminish it may be due to the pump's filter screen becoming clogged with debris. Always disconnect the power before performing maintenance on the pump. In many cases the clogged screen can be cleaned by removing any debris by hand. If there is a lot of debris and/or the debris is difficult to clean you may need to disconnect the threaded collar on the fitting and remove the pump from the filter for a more thorough cleaning. A garden hose can be used to spray off any debris stuck on the filter screen. Be sure to replace all parts including the inner and outer screens, making sure they are firmly attached to the pump body before lowering the pump back into the filter box.
- The outer screen can be removed by twisting the locking knob counterclockwise and pulling the screen off (Ex. 12).



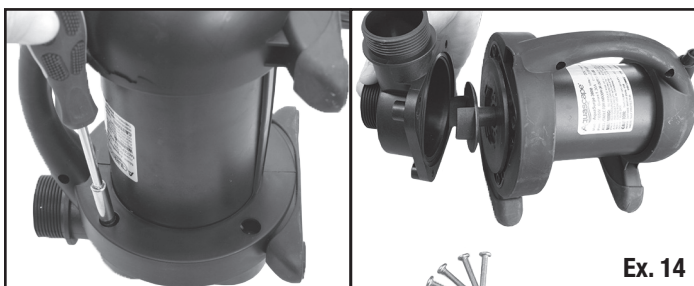
Ex. 12

- The inner filter screen is threaded on and can be removed by unscrewing counterclockwise (Ex. 13).

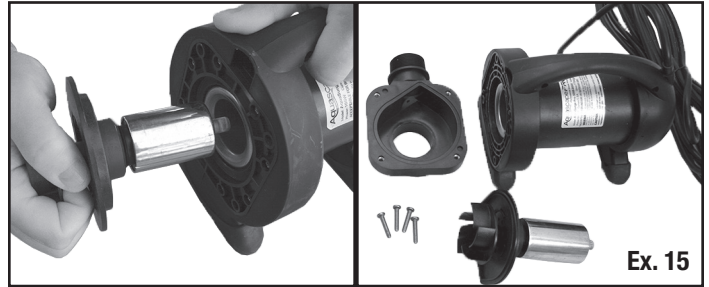


Ex. 13

- Internal Pump Cleaning - If you have thoroughly cleaned the filter screens on the pump and still have diminished flow rates, you will need to remove the water cover chamber (Ex. 14) and inspect the impeller rotor assembly (Ex. 15).

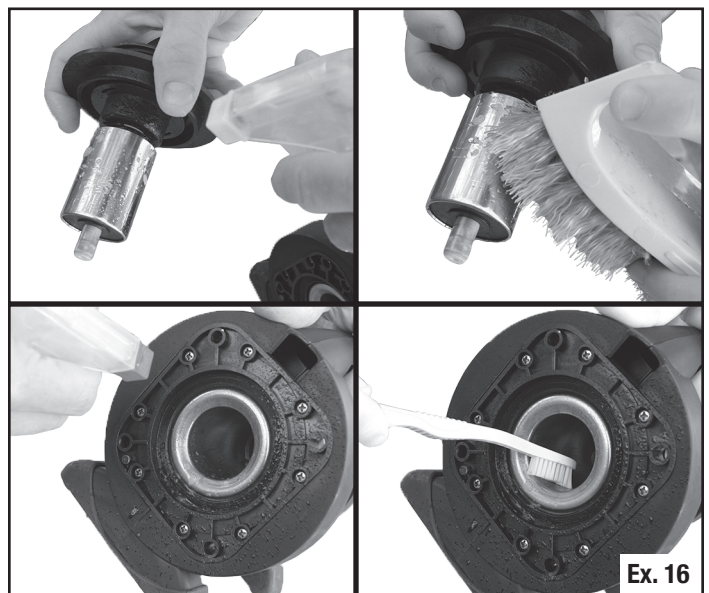


Ex. 14



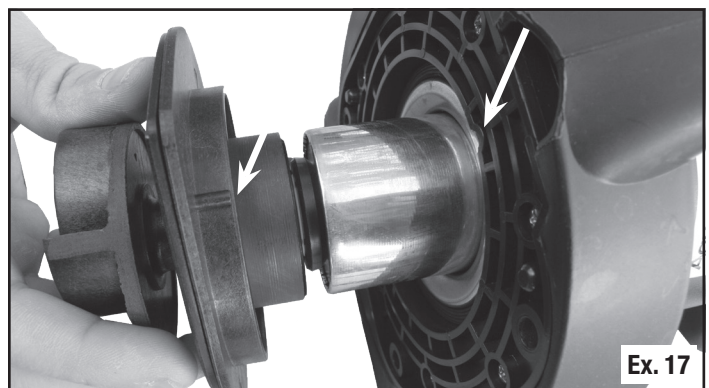
Ex. 15

- If your rotor assembly impeller and internal pump body have excessive scale build-up, clean with mild acid, such as white vinegar or a non-abrasive calcium, lime and rust remover product using a sponge or soft-bristled brush that won't scratch the stainless steel (Ex. 16). Removing scale buildup will allow your pump to run like new again.



Ex. 16

- When re-assembling the 4000 or 5000 pump models, be sure to align the raised key on the impeller flange to the matching notch in the face of the pump flange (Ex. 17).



Ex. 17

Winter Application

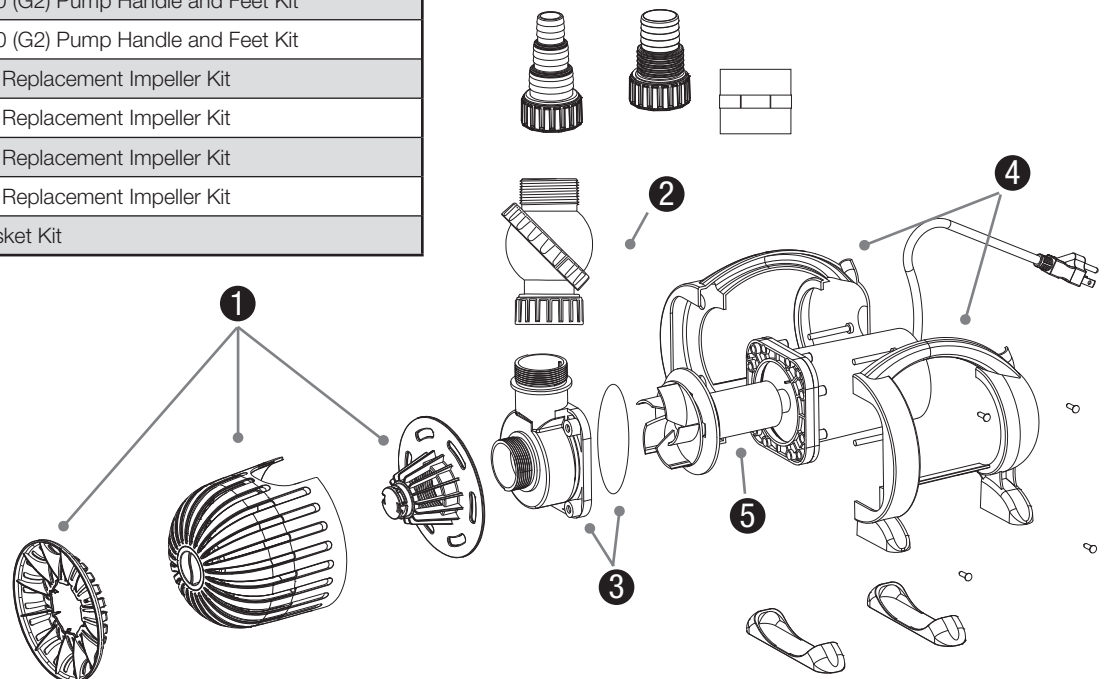
- If concerned about possible freeze damage, disconnect the threaded collar on the fitting and remove the pump from the filter (be careful not to lose the flat rubber washer). Clean the pump and inlet screens with fresh water and store the pump in a frost-free location. The pump can be run during freezing weather, if desired, but the pump should be removed in the event of a power failure to prevent any freeze damage to either the pump or the piping.

Troubleshooting

- Reduced water flow
 - Pump or plumbing may be clogged. It may be necessary to clean the filter screens and impeller.
- Pump hums but doesn't push water
 - The pump or plumbing may be clogged.
 - It may be necessary to clean the filter screens and impeller.
 - Remove the water chamber cover and inspect and clean the impeller rotor assembly and internal pump body.
 - Make sure nothing is blocking or wrapped around the impeller.
 - Make sure the pump is receiving the correct voltage.
 - Make sure the impeller blades are not worn or damaged.
- Pump not working
 - The ground-fault circuit interrupter (GFCI) may have tripped.
 - The pump is not receiving the correct voltage.

Replacement Parts

AquaSurge® Pond Pump Replacement Parts	
No.	Item number/description
1.	91063 – AquaSurge 2000/3000 (G2) Intake Screen Kit
1.	91064 – AquaSurge 2000/3000 (G2) Intake Screen Kit
2.	91065 – AquaSurge (G2) Discharge Fitting Kit
3.	91066 – AquaSurge 2000/3000 (G2) Water Chamber Cover and O-Ring Kit
3.	91067 – AquaSurge 4000/5000 (G2) Water Chamber Cover and O-Ring Kit
4.	91068 – AquaSurge 2000/3000 (G2) Pump Handle and Feet Kit
4.	91069 – AquaSurge 4000/5000 (G2) Pump Handle and Feet Kit
5.	91070 – AquaSurge 2000 (G2) Replacement Impeller Kit
5.	91071 – AquaSurge 3000 (G2) Replacement Impeller Kit
5.	91072 – AquaSurge 4000 (G2) Replacement Impeller Kit
5.	91073 – AquaSurge 5000 (G2) Replacement Impeller Kit
	91155 – Pump/Filter Union Gasket Kit



Warranty Information

3 YEAR WARRANTY

Aquascape warrants that the AquaSurge® Pond Pump will be free of manufacturing defects for three years from date of purchase. Proof of purchase required. Warranty does not cover damage resulting from electrical supply problems, improper wiring, lightning, negligent handling, misapplication, misuse, or lack of reasonable maintenance or care.

Warranty does not cover parts subject to normal wear, such as impellers. This product should only be operated in fresh water, completely submerged, without corrosive chemicals like chlorine or bromine. If upon Aquascape's inspection, the pump shows evidence of a manufacturing defect, Aquascape's liability is limited, at Aquascape's option, to the repair of the defect, replacement of the defective product, or refund of the original purchase price.

The warranty excludes costs of labor, removal of product, shipping and expenses related to the installation and re-installation of the product. All products that include plumbing (tubing, pumps, check valves) need to be properly drained and winterized otherwise warranty is null and void. No liability for loss or damage of any nature or kind, whether arising out of or from the use of the product, whether defective or not defective, is assumed by Aquascape, Inc. or its affiliates. Aquascape shall not be liable for any incidental, consequential or other damages arising under any theory of law whatsoever.

For more information about our company or products, please visit our website at aquascapeinc.com
or call us at US (866) 877-6637 CAN (866) 766-3426



AQUASURGE^{MD} POND PUMP

**AquaSurge^{MD} 2000
Pond Pump**

Référence #91017

**AquaSurge^{MD} 3000
Pond Pump**

Référence #91018

**AquaSurge^{MD} 4000
Pond Pump**

Référence #91019

**AquaSurge^{MD} 5000
Pond Pump**

Référence #91020





AquaSurge^{MD} Pond Pump

Nous vous remercions d'avoir choisi le AquaSurge^{MD} Pond Pump Aquascape.

Chez Aquascape, nous connectons les gens à l'eau comme le veut la nature. Depuis 1991, nous créons et testons sur le terrain des caractéristiques d'eau afin de vous fournir les produits les plus fiables et le meilleur rapport qualité-prix dans l'industrie de l'eau.

Les pompes d'étang Aquascape AquaSurge sont idéales pour une utilisation dans les étangs, les cascades Pondless^{MD} et d'autres applications de jeux d'eau, les pompes asynchrones. AquaSurge sont conçues pour être utilisées dans les systèmes d'écumoire et de filtre à cascade. Extrêmement écoénergétiques, les pompes AquaSurge sont conçues pour une utilisation continue en orientation horizontale ou verticale.



TABLE DES MATIÈRES

Introduction	10
Contenu	11
Renseignements de sécurité	11
Tableau des caractéristiques	12
Installation	12
Entretien général	14
Application d'hiver	15
Dépannage.....	15
Pièces de rechange	16
Informations sur la garantie	16

☎ **Communiquez avec nous**

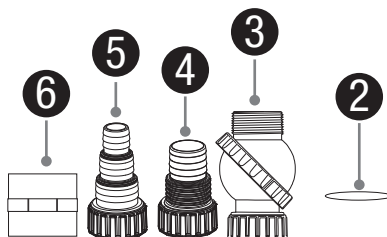
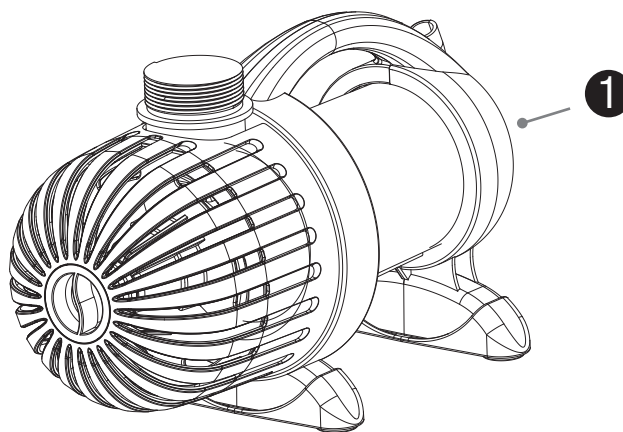
Pour plus de renseignements sur notre entreprise ou nos produits, veuillez vous rendre sur notre site Web aquascapeinc.com ou appeler le (866) 877-6637 (aux É.-U.) ou le (866) 766-3426 (au Canada).

Rejoignez-nous sur :



facebook.com/aquascapeinc
youtube.com/aquascape4
pinterest.com/aquascapeinc
instagram.com/aquascape_inc/

Contenu	
N°	Description
1.	Pompe de bassin AquaSurge ^{MD}
2.	Joint plat en caoutchouc
3.	Sortie de boule rotative de 1,5 po
4.	Adaptateur multi-tuyau 1,5 po, 2 po
5.	Adaptateur multi-tuyau 1 po, 1,25 po, 1,5 po
6.	Adaptateur Femelle 1,5 po



Renseignements de sécurité



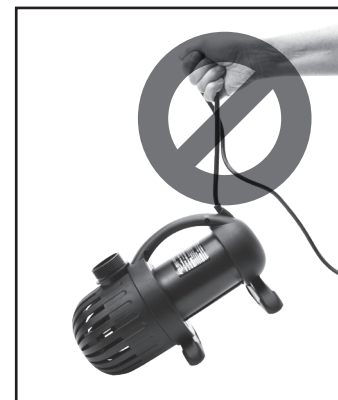
MISE EN GARDE : risque de choc électrique – Cette pompe n'a pas été approuvée pour une utilisation en piscine ou en zones marines.



MISE EN GARDE : Afin d'assurer une protection continue contre le risque de décharge électrique, ne branchez le cordon qu'à une prise d'alimentation avec mise à la terre, en observant les directives suivantes :

- (A) Faites installer une prise de courant correctement mise à la terre convenant à une utilisation extérieure et protégée de la neige et de la pluie.
- (B) Inspectez le cordon d'alimentation avant l'utilisation.
- (C) N'utilisez pas de rallonges.
- (D) Tout câblage relié à la pompe devrait être exécuté par un électricien qualifié pour être en conformité avec les normes et s'assurer de la sécurité de l'utilisateur.
- (E) Débranchez la pompe de la prise de courant lorsque vous ne vous en servez pas ou avant de la sortir du plan d'eau.

- (F) Pour réduire le risque de décharge électrique, tout le câblage et les raccordements de jonction devraient être exécutés selon les normes locales. Les exigences peuvent varier en fonction de l'utilisation et de l'emplacement.
- (G) Le câble électrique devrait être protégé en tout temps pour éviter les perforations, les coupures, les ecchymoses et les abrasions.
- (H) Ne manipulez jamais les cordons d'alimentation avec les mains humides.
- (I) N'enlevez pas le cordon et le dispositif de réduction de la tension. Ne joignez pas le conduit à la pompe.
- (J) Ne soulevez pas la pompe par le cordon d'alimentation.



- Faites fonctionner la pompe uniquement lorsqu'elle est entièrement submergée; ou si vous l'utilisez sans l'immerger, assurez-vous de maintenir une source constante d'eau douce. Ne pas faire ceci entraînera un surchauffement de la pompe et causera une défaillance de fonctionnement annulant ainsi la garantie.
- N'utilisez que lorsque la pompe est entièrement assemblée, prêtant une attention particulière aux grilles de filtration tant extérieures qu'intérieures pour s'assurer qu'elles soient fixées à la pompe. Faire fonctionner la pompe sans la grille de filtration permettra à des débris de grande taille d'entrer dans la pompe entraînant ainsi sa défaillance et annulant de ce fait la garantie.
- Ne portez pas de vêtements amples qui peuvent s'empêtrer dans la turbine ou dans d'autres pièces en mouvement.
- Restez à l'écart des sorties et des entrées d'eau. N'INSÉREZ PAS de doigts dans la pompe lorsqu'elle est branchée.
- Ne pompez pas de matières dangereuses ou des liquides, tels que l'huile, l'eau salée ou les solvants biologiques.
- Ne bloquez ni ne restreignez la sortie de la pompe.
- Les produits retournés doivent être nettoyés, désinfectés ou décontaminés au besoin, avant l'expédition pour s'assurer que les employés ne soient pas exposés à

des risques pour la santé lors de la manutention dudit matériel. Toutes lois et tous règlements en vigueur seront applicables.

- La pompe de bassin AquaSurge est une pompe submersible à protection thermique pour une utilisation en extérieur ou en intérieur et a été évaluée pour une utilisation avec de l'eau uniquement.



IMPORTANT : Aquascape inc. n'est nullement responsable des pertes, blessures ou décès résultant du non-respect de ces consignes, d'une mauvaise utilisation ou d'une utilisation abusive de la pompe ou de l'équipement.

Caractéristiques Techniques D'AquaSurge^{MD}

- Tension d'entrée : 120 V c.a.
- Fréquence d'entrée : 60 Hz
- Pompe submersible
- Pour utilisation extérieure ou intérieure
- Protection thermique
- Boîtier de type 3
- Pompe évaluée en utilisation avec de l'eau seulement
- Intensité de courant d'entrée et puissance en watts : voir tableau ci-dessous

Spécifications de la pompe de bassin AquaSurge

Numéro de modèle	2000	3000	4000	5000
Débit maximal (LPH)	8 000	12 000	14 500	20 000
Hauteur de tête maximale	12.5 pi	15 pi	18.5 pi	24 pi
Type de moteur	Asynchrone	Asynchrone	Asynchrone	Asynchrone
Puissance	160	165	215	360
Intensité de courant	1,3	1,4	1,82	3
Longueur du cordon d'alimentation	20 pi	20 pi	20 pi	20 pi
Diamètre de refoulement de la pompe	1,5 po MPT	1,5 po MPT	1,5 po MPT	1,5 po MPT
Diamètre de tuyau idéal	1,5 po - 2 po	1,5 po - 2 po	1,5 po - 2 po	2 po
Dimensions de la pompe	12 po L x 5,5 po W x 7 po H	12 po L x 5,5 po W x 7 po H	14 po L x 6 po W x 7,5 po H	14 po L x 6 po W x 7,5 po H

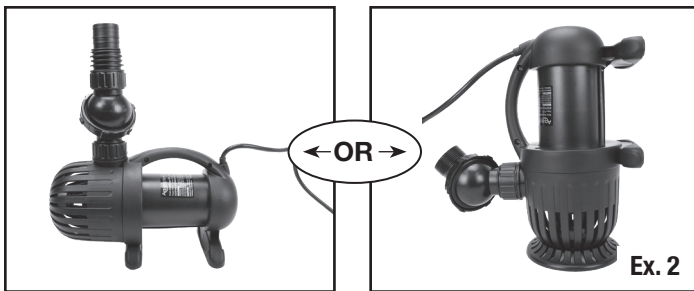
Installation

- Ne pas immerger la pompe AquaSurge directement dans le bassin. La pompe AquaSurge est conçue pour être placée à l'intérieur d'une écumoire, d'une voûte en cascade Pondless^{MD}, d'un puisard ou d'un bassin. Veuillez considérer les pompes de traitement des solides Aquascape AquaForce^{MD} (Ex. 1) si votre application



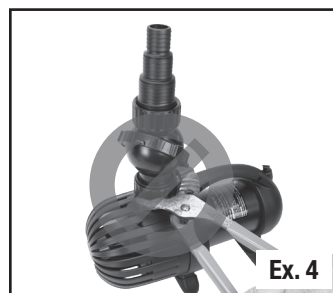
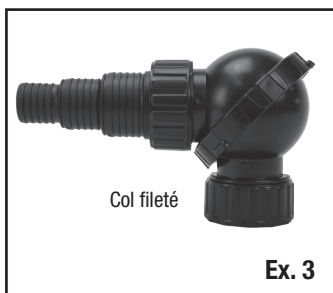
n'a pas de filtre et nécessite une pompe qui peut être placée directement dans le bassin.

- La pompe AquaSurge est conçue pour être installée horizontalement sur les pieds en caoutchouc. La pompe peut également être montée verticalement, si nécessaire, en fixant l'anneau du support de filtre sur le tamis extérieur du filtre, inclus avec votre pompe (Ex. 2).

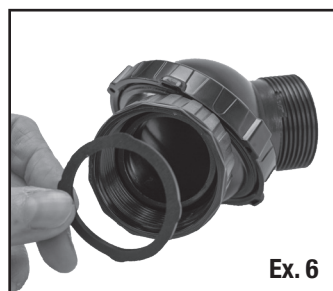


- L'AquaSurge comprend un vaste assortiment de raccords parmi lequel choisir. Sélectionnez le raccord approprié ou les raccords nécessaires à votre installation.
- Le collier fileté (Ex. 3) sur tous les raccords permet d'installer et de retirer la pompe AquaSurge sans avoir besoin d'outils.

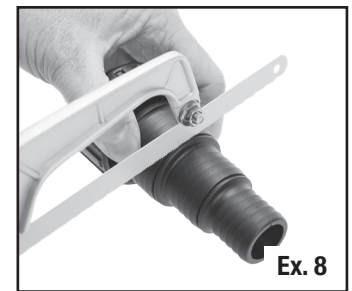
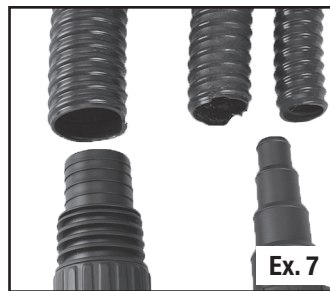
REMARQUE : N'utilisez pas d'outils pour installer les raccords dans le refoulement de la pompe (Ex. 4). Les raccords ne doivent être serrés qu'à la main.



- La sortie à bille rotative extrêmement polyvalente (Ex. 5) vous permet d'ajuster le refoulement de la pompe à la position parfaite requise par la configuration de votre fontaine. Le serrage du collier fileté (Ex. 5) permet de faire tourner la moitié supérieure de la boule. Un joint plat en caoutchouc (Ex. 6) est inclus pour assurer une connexion étanche à la main et sans fuite. Assurez-vous que cette rondelle plate en caoutchouc est en place avant d'installer les raccords.



- Installez l'adaptateur multi-tuyau de la bonne taille en fonction du diamètre du tuyau que vous utilisez (Ex. 7).
- Si vous utilisez un tuyau d'un diamètre supérieur à la partie la plus étroite de l'adaptateur de tuyau multiple, taillez les parties plus étroites pour éviter toute restriction dans le débit d'eau. (Ex. 8).



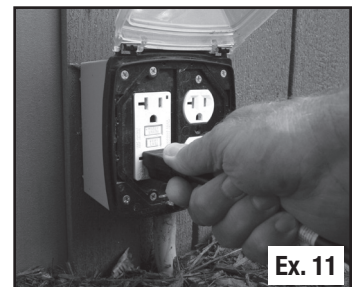
- Abaissez la pompe dans l'écumoire (Ex. 9) ou la chambre forte en cascade Pondless^{MD} (Ex. 10) et faites pivoter la sortie de la boule rotative pour l'aligner avec le tube. Fixez le tube au raccord, puis serrez un collier de serrage (non inclus) pour fixer le tube sur le raccord.



- Branchez la pompe dans la prise d'alimentation électrique externe GFI (Ex. 11).

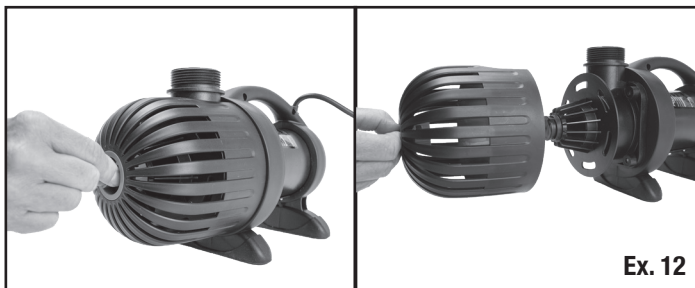
FONCTIONNEMENT SANS IMMERSION

- La pompe AquaSurge peut également fonctionner en ligne en fixant un tuyau directement connecté de l'étang (ou de l'aquarium) à l'entrée de la pompe à filetage mâle. Dans ce cas, l'eau doit être pré-filtrée des débris afin d'éviter tout dommage à la pompe ou à la roue. La pompe ne doit JAMAIS fonctionner à sec sans eau. Cette pompe est refroidie par eau et nécessite que de l'eau circule à travers la pompe à tout moment pour que la pompe fonctionne correctement et reste refroidie afin qu'elle ne surchauffe pas.



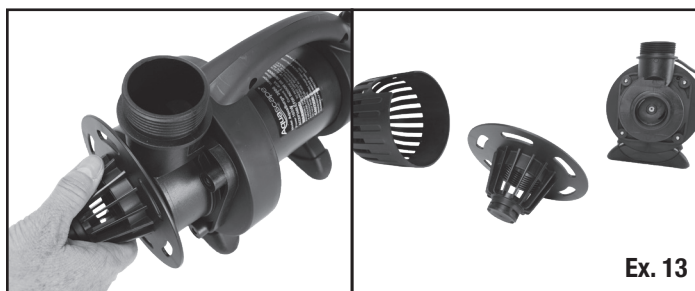
Entretien général

- Grilles du filtre – N'enlevez pas les grilles de filtration extérieure ou intérieure lors du fonctionnement de la pompe. Faire fonctionner la pompe sans la cage de filtration permettra à des débris de grande taille d'entrer dans la pompe entraînant ainsi sa défaillance et annulant de ce fait la garantie.
- Nettoyage de l'écran du filtre - Nous vous recommandons d'inspecter votre AquaSurge régulièrement pour vous assurer qu'il fonctionne correctement. Si vous remarquez que le débit d'eau diminue, cela peut être dû au fait que le tamis du filtre de la pompe est obstrué par des débris. Débranchez toujours l'alimentation avant d'effectuer l'entretien de la pompe. Dans de nombreux cas, l'écran bouché peut être nettoyé en enlevant tous les débris à la main. S'il y a beaucoup de débris et/ou que les débris sont difficiles à nettoyer, vous devrez peut-être déconnecter le collier fileté du raccord et retirer la pompe du filtre pour un nettoyage plus approfondi. Un tuyau d'arrosage peut être utilisé pour pulvériser tous les débris collés sur le tamis du filtre. Assurez-vous de remplacer toutes les pièces, y compris les tamis intérieur et extérieur, en vous assurant qu'elles sont solidement fixées au corps de la pompe avant de remettre la pompe dans le boîtier du filtre.
- L'écran extérieur peut être retiré en tournant le bouton de verrouillage dans le sens inverse des aiguilles d'une montre et en tirant sur l'écran (Ex. 12).



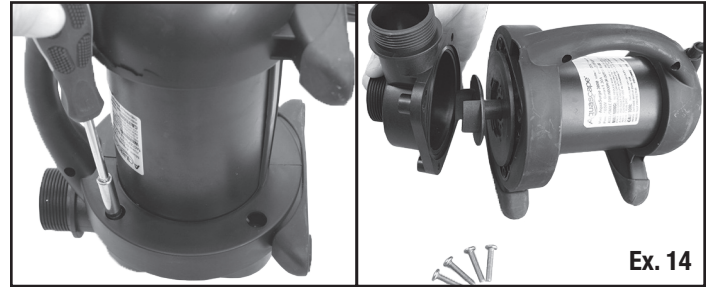
Ex. 12

- La grille de filtration intérieure est filetée et peut être enlevée en dévissant en sens inverse des aiguilles d'une montre (Ex. 13).

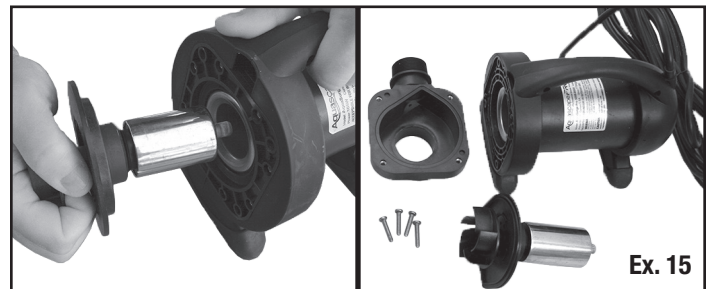


Ex. 13

- Internal Pump Cleaning - If you have thoroughly cleaned the filter screens on the pump and still have diminished flow rates, you will need to remove the water cover chamber (Ex. 14) and inspect the impeller rotor assembly (Ex. 15).

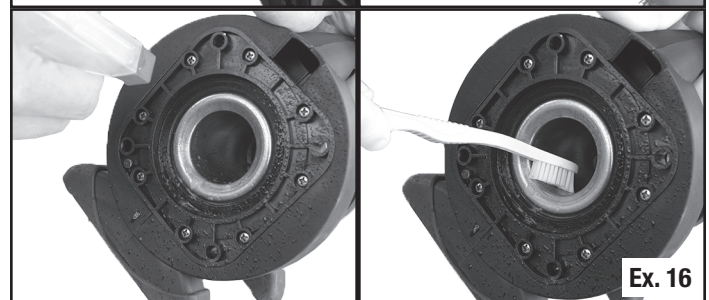
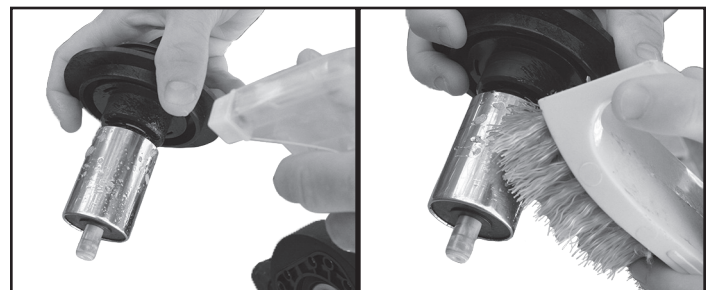


Ex. 14



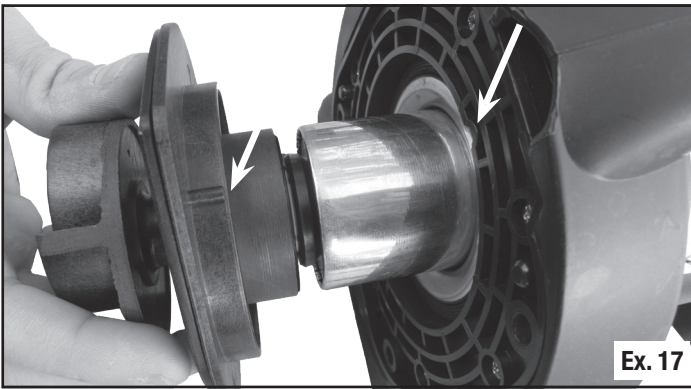
Ex. 15

- Si l'assemblage du rotor de turbine et la partie interne de la pompe contiennent des dépôts calcaires excessifs, nettoyez avec un acide doux, comme du vinaigre blanc ou un calcium non abrasif, un produit antirouille et anticalcaire en utilisant une éponge de cuisine ou une brosse à poils doux qui n'égratignera pas l'acier inoxydable (Ex. 16). L'élimination de l'accumulation de tartre permettra à votre pompe de fonctionner à nouveau comme si elle était neuve.



Ex. 16

- En réassemblant les modèles de pompe 4000 ou 5000, assurez-vous d'aligner la clé soulevée à la bride de pompe à l'encoche correspondante sur la surface de la bride de pompe (Ex. 17).



Application d'hiver

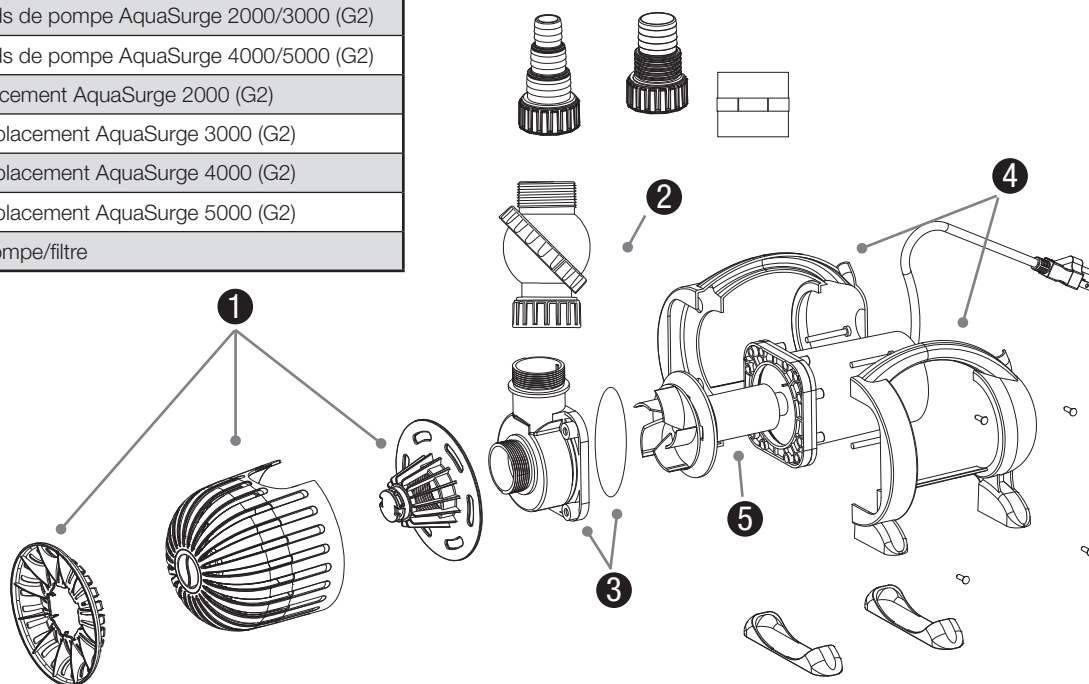
- Si vous êtes préoccupé par les dommages possibles causés par le gel, débranchez le col fileté du raccord et sortez la pompe du filtre (gardez prudemment la rondelle en caoutchouc plate). Nettoyez la pompe et les grilles d'entrée d'eau de la cage avec de l'eau douce et rangez la pompe dans un endroit à l'abri du gel. Vous pouvez faire fonctionner la pompe par temps glacial si désiré, mais elle devrait être enlevée en cas de panne de courant afin de prévenir tout dommage à la pompe ou à la tuyauterie dû au gel.

Dépannage

- Débit d'eau réduit
 - La pompe ou la plomberie peuvent être bouchés. Il peut être nécessaire de nettoyer les grilles de filtration et la turbine.
- Bourdonnement de la pompe et absence de propulsion d'eau
 - La pompe ou la plomberie peuvent être bouchés. Il peut être nécessaire de nettoyer les grilles de filtration et la turbine.
 - Enlevez le couvercle du réservoir, inspectez et nettoyez l'assemblage du rotor de turbine et la partie interne de la pompe.
 - Assurez-vous que rien ne bloque ou n'est enveloppé autour de la turbine.
 - Assurez-vous que la pompe reçoit la bonne tension.
 - Assurez-vous que les pales de la turbine ne sont pas endommagés.
- Pompe en panne
 - L'interrupteur du disjoncteur de fuite à la terre (GFCI) peut avoir été déclenché.
 - La pompe ne reçoit pas la bonne tension.

Pièces de rechange

Pièces de rechange pour pompe de bassin AquaSurge ^{MD}	
N°	Référence/description
1.	91063 – Kit de tamis d'admission AquaSurge 2000/3000 (G2)
1.	91064 – Kit de tamis d'admission AquaSurge 2000/3000 (G2)
2.	91065 – Kit de raccord de décharge AquaSurge (G2)
3.	91066 – Kit couvercle de chambre à eau et joint torique AquaSurge 2000/3000 (G2)
3.	91067 – Kit couvercle de chambre à eau et joint torique AquaSurge 4000/5000 (G2)
4.	91068 – Kit de poignée et pieds de pompe AquaSurge 2000/3000 (G2)
4.	91069 – Kit de poignée et pieds de pompe AquaSurge 4000/5000 (G2)
5.	91070 – Kit de roue de remplacement AquaSurge 2000 (G2)
5.	91071 – Kit de turbine de remplacement AquaSurge 3000 (G2)
5.	91072 – Kit de turbine de remplacement AquaSurge 4000 (G2)
5.	91073 – Kit de turbine de remplacement AquaSurge 5000 (G2)
	91155 – Kit de joint d'union pompe/filtre



Informations sur la garantie

GARANTIE DE TROIS ANS

Aquascape garantit que la pompe AquaSurge^{MD} sera exempte de défauts de fabrication pendant trois ans à compter de la date d'achat. Preuve d'achat requise. La garantie ne couvre pas les dommages résultant de problèmes d'alimentation électrique, d'un câblage incorrect, de la foudre, d'une manipulation négligente, d'une mauvaise application, d'une mauvaise utilisation ou d'un manque d'entretien ou de soins raisonnables. La garantie ne couvre pas les pièces soumises à une usure normale, telles que les roues. Ce produit ne doit être utilisé que dans de l'eau douce, complètement immergé, sans produits chimiques corrosifs comme le chlore ou le brome. Si lors de l'inspection d'Aquascape, la pompe présente la preuve d'un défaut de fabrication, la responsabilité d'Aquascape est limitée, au choix d'Aquascape, à la réparation du défaut, au remplacement du produit défectueux ou au remboursement du prix d'achat initial. La garantie exclut les frais de main-d'œuvre, de retrait du produit, d'expédition et les dépenses liées à l'installation et à la réinstallation du produit. Tous les produits qui incluent la plomberie (tubes, pompes, clapets anti-retour) doivent être correctement drainés et hivernés, sinon la garantie est nulle et non avenue. Aucune responsabilité en cas de perte ou de dommage de quelque nature que ce soit, que ce soit résultant de ou de l'utilisation du produit, défectueux ou non, n'est assumée par Aquascape, Inc. ou ses filiales. Aquascape ne peut être tenu responsable des dommages accessoires, consécutifs ou autres découlant de quelque théorie du droit que ce soit.

Pour plus de renseignements sur notre entreprise ou nos produits, veuillez vous rendre sur notre site Web aquascapeinc.com ou nous appeler au (866) 877-6637 (aux É.-U.) ou au (866) 766-3426 (au Canada).