

PondMAX[®]

FOR GARDENS THAT GO THE EXTRA YARD

CAP AIR PUMP

INSTRUCTION MANUAL



VERSION
OCT 2023

www.pondmax.com.au

MODEL
CAP20
CAP50
CAP100



WELCOME TO THE WORLD OF PONDMAX™.
YOU MADE THE **RIGHT** CHOICE INVESTING IN THIS
QUALITY PRODUCT. THANK YOU AND **ENJOY.**

BEFORE USING THIS PRODUCT, PLEASE READ THESE INSTRUCTIONS OF USE CAREFULLY AND MAKE YOURSELF FULLY FAMILIAR WITH THE UNIT. PLEASE KEEP THESE INSTRUCTIONS IN A SAFE PLACE FOR FUTURE REFERENCE.

TECHNICAL SPECIFICATIONS

MODEL	CAP20	CAP50	CAP100
VOLTAGE	220-240VAC/50Hz	220-240VAC/50Hz	220-240VAC/50Hz
POWER (W)	8	16	70
MAX PRESSURE (MPa)	0.024	0.03	0.035
MAX OUTPUT (L/MIN)	13	30	100
OUTLET	2	1-6	1-16
CABLE LENGTH (M)	2	2	2
POND VOLUME (M ³)	8	18	60

DESIGN HIGHLIGHTS

The PondMAX CAP Airpumps have been manufactured with advanced technology to provide you with the best quality air pump for your pond. Visit our website to view our range of pond filtration, outdoor/underwater lighting, water treatments and general accessories.

- Special artificial rubber feet to keep a steady air output and pressure
- Advanced air-compression system, damping system and multi lever muffler which is extremely low in noise
- Compact design and long service life

INSTALLATION

For your convenience we have provided two different front filter cages. One has a built in flow control, that can be used to adjust the water flow if the flow is too fast for a particular installation. This is used in clean water features, where a "filter-less" system is preferable.

- Connect the airhose to the airpumps outlet, position the air hose in your pond with airstones and switch on.
- Place the airpump above water level on a flat surface, otherwise connect a non return valve between airhose a few inches from the airpump to ensure water is not siphoned back into the air pump.

MAINTENANCE

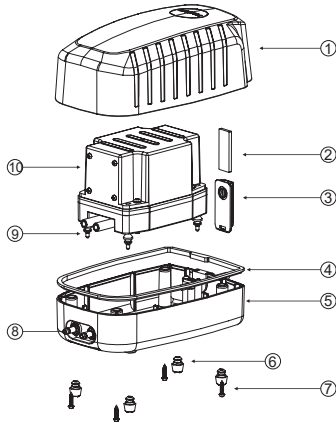
Regularly clean your air hose and air stone (if in use) or change the sponge to ensure maximum output and extend the life of the air pump.

- CAP20/CAP50 - installation of the filter sponge is as show
- CAP100 Simply uncrea the screw at the top of the airpump.

AIR PUMPS

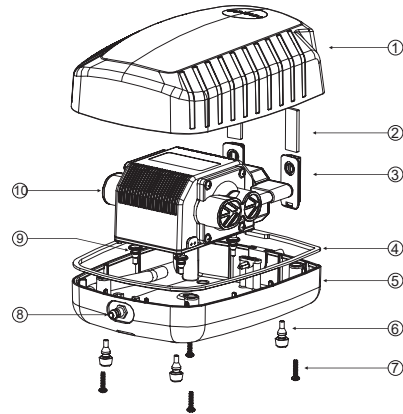
PARTS LIST

CAP20



1	Upper Shell	6	Rubber Foot
2	Filter Sponge	7	Screw
3	Intake Filter Box	8	Air Outlet
4	Sealing Ring	9	Motor Shock Absorption Foot
5	Base	10	Motor Assembly

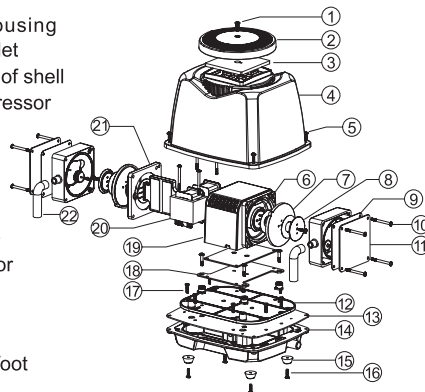
CAP50



1	Upper Shell	6	Rubber Foot
2	Filter Sponge	7	Screw
3	Intake Filter Box	8	Air Outlet
4	Sealing Ring	9	Motor Shock Absorption Foot
5	Base	10	Motor Assembly

CAP100

- ① Screw
- ② Top housing
- ③ Filter sponge of air inlet
- ④ Shell
- ⑤ Screw of shell
- ⑥ Inner diaphragm depressor
- ⑦ Diaphragm
- ⑧ Outer diaphragm depressor
- ⑨ Airproof underlay of air chamber
- ⑩ Screw of air chamber
- ⑪ Air chamber depressor
- ⑫ Base cover board
- ⑬ Airproof underlay of base cover board
- ⑭ Base
- ⑮ Rubber foot
- ⑯ Screw of rubber foot
- ⑰ Screw of base cover board
- ⑱ Base board of motor
- ⑲ Motor shell



- ⑳ Silicon chip
- ㉑ Diaphragm base
- ㉒ Air outlet tube



IMPORTANT SAFEGUARDS

Please read the operating instructions and familiarise yourself with the equipment before placing it in service. Correct and safe use of the system requires strict compliance with the safety instructions. For safety reasons, persons less than 16 years of age or infirm persons that are not familiar with these instructions should not use this equipment.

- Any damage to the equipment or unmerited operation will bring dangers to the surrounding precincts. So if there is any damage of the equipment, it must not be used. The equipment should be placed out of reach of children.
- For your own safety, disconnect from the power supply before any maintenance of any equipment is attempted on the tank or water body. Always unplug the pump from the power supply when not in use. Never pull the cable to disconnect the plug from the power supply - grasp the plug and pull to disconnect. If required, have a qualified electrician install a weatherproof power supply point near to the pond or water-feature (within the cable length of the appliance).
- Be sure the equipment is installed in a dry environment
- Do not operate the pump if the appliance or any components of the system, such as the power cable, have been damaged. Check appliance for defects regularly.
- Always use a properly grounded power supply that is connected to an RCD with a rated residual operating current not exceeding 30mA. As per AS/NZS 3350.2.41:1997
- To avoid an electric shock, do not attach the plug to the power supply socket with wet hands. The drip loop method should be used to prevent water from traveling down the cable and onto the plug or power supply. If the plug does get wet, do not unplug the cable. Disconnect the circuit breaker that supplies power to the power supply point. Then unplug and examine the plug and power supply point for presence of water. If the power point has become wet, you should consult an electrician before using the power point again.
- Do not install or store the appliance where it will be exposed to extreme hot or cold temperatures. Do not use in water above 35°C.
- Do not cut the cable as this will result in voiding your warranty.
- Care should be taken to arrange the power cable so that it cannot be accidentally tripped over or pulled.
- Do not attempt to repair the electrical appliance yourself. Return to an authorised service centre or place of purchase if a fault occurs, (regular maintenance is not considered repair and is required by user).

AIR PUMPS

LIMITED WARRANTY 2+1 YEAR

- The additional 1 Year Extended Warranty applies when you REGISTER with Aquatec Equipment. See enclosed for details and please retain your proof of purchase and Warranty form.
- Warranty covers only appliance defects and faulty material and workmanship within a 2 year period.
- Faults arising due to accidents, misuse, not following manufacturer's guidelines/ instructions or power surges/spikes/brownouts will not be covered.
- Warranty will be void if any tampering removal of warranty labels or electrical circuitry is evident.
- Warranty will be void if the power cord is cut or damaged in any way.
- Warranty will be void if any visible signs of overheating are present.
- Loss of livestock, damage to property or personal injury caused by this product will not be covered.
- Warranty claims caused by installation faults will not be covered.
- It is the customer's responsibility to return the faulty appliance for any warranty claim, to Aquatec.
- For any warranty to be valid, an original proof of purchase must be provided.
- Our goods come with guarantees that cannot be excluded under the Australian Consumer Law. You are entitled to a replacement or refund for a major failure and for compensation for any other reasonably foreseeable loss or damage. You are also entitled to have the goods repaired or replaced if the goods fail to be of acceptable

quality and the failure does not amount to a major failure.

- A Warranty claim must be made within 2 years of the date of purchase.

EXTENDED WARRANTY

- The Extended Warranty period is for an additional 1 Year and commences on expiration of the standard Warranty period.
- Application for Extended Warranty is FREE of any registration cost to the purchaser on completion of the Extended Warranty questionnaire can be found in the box with the item purchased or online at www.aquatecequipment.com.
- Where Aquatec determines goods are being used in a manner contrary to the instructions, specifications or this Warranty, Aquatec reserves the right to terminate Extended Warranty for such goods and will provide written notice to the purchaser.

Please consult your retailer for quality original PondMAX replacement parts.

Visit www.aquatecequipment.com for your nearest stockists.

E.&O.E.



FOR GARDENS THAT GO THE EXTRA YARD



AQUATEC
EQUIPMENT

HOTLINE 1300 AQUATEC

www.pondmax.com.au